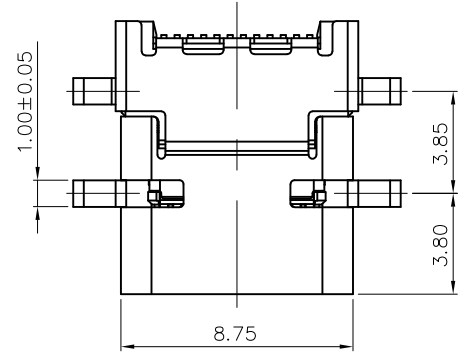
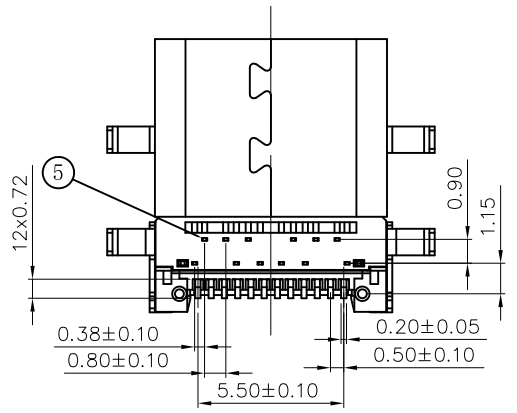
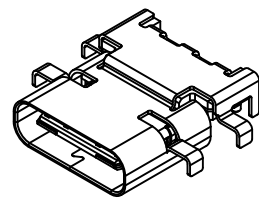
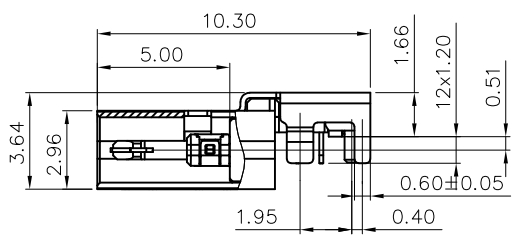
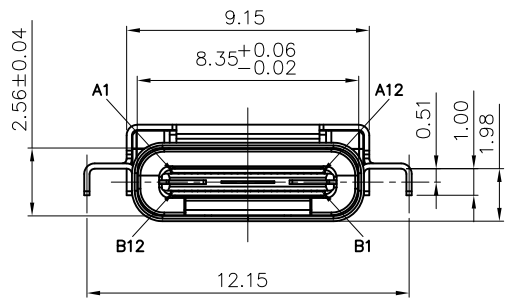
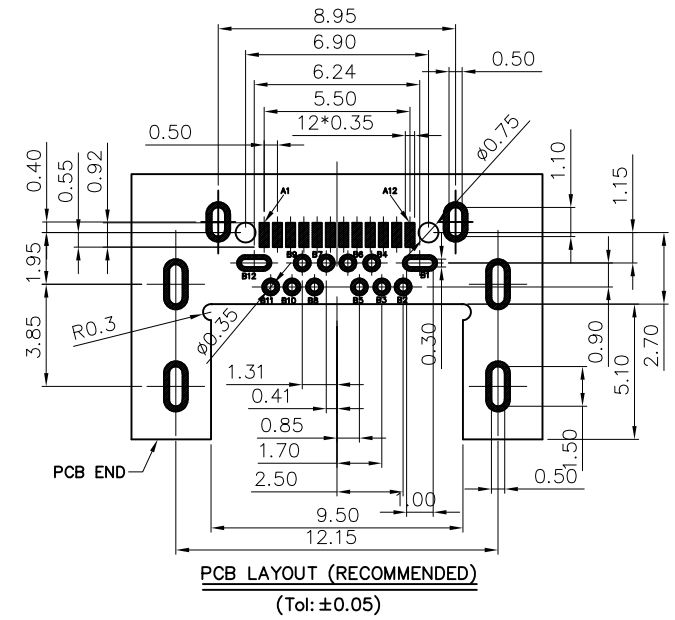


RoHS Compliant

REV.	DESCRIPTION	SIGN	DATE
A	NEW	Fred.Tong	17/8/13



PIN	Signal Name	PIN	Signal Name
A1	GND	B12	GND
A2	SSTXp1	B11	SSRXp1
A3	SSTXn1	B10	SSRXn1
A4	VBUS	B9	VBUS
A5	CC1	B8	SBU2
A6	Dp1	B7	Dn2
A7	Dn1	B6	Dp2
A8	SBU1	B5	CC2
A9	VBUS	B4	VBUS
A10	SSRXn2	B3	SSTXn2
A11	SSRXp2	B2	SSTXp2
A12	GND	B1	GND



SPECIFICATION MATERIAL

See drawing
STANDARD DATA
Rating current:1.5A
ELECTRICAL

Insulator resistance: 100M ohms Min
Withstanding voltage: 100 VAC / minute
Contact resistance: 40 m ohms Max

MECHANICAL
Mating force: 5~20N.
Unmating force: 8~20N.
Durability: 10000 cycles Min.

ITEM	PARTS NAME	Q'TY	MATERIAL	FINISH/REMARK
項目	零件名稱	數量	材質	處理/備註
1	Insertmold housing	1	SYNTHETIC RESIN	Black
2	12pin Insertmold-(1)	1	SYNTHETIC RESIN	Black
3	12pin Insertmold-(2)	1	SYNTHETIC RESIN	Black
4	SHELL-1	1	STAINLESS	Ni50u" Min
5	12pin Contact-(DIP)	12	COPPER ALLOY	Al:15U" on contact area 100u" Tin on solder tails, base Nickel:50u"
6	12pin Contact-(SMT)	12	COPPER ALLOY	Al:15U" on contact area 100u" Tin on solder tails, base Nickel:50u"
7	Shield SHELL	1	STAINLESS	base Nickel:50u" Min ;Tin:90u" Min Over All
8	Ground plate-top	1	STAINLESS	Ni50u" Min
9	Ground plate-bottom	1	STAINLESS	Ni50u" Min
10	SHELL-2	1	STAINLESS	Ni50u" Min

GENERAL TOLERANCES (UNLESS SPECIFIED)		DRAWN BY DATE		TEL: +86 0755 27801940		
		Alen.Yu 17/8/13		Mob: +86 15889397634		
		www.techedom.com				
ITEM	MM	INCH	CHECKED BY DATE	TITLE: USB3.1 C TYPE FEMALE R/A SMT/DIP 沉板式		
3 PLACE	±0.15	±0.005	Liang.Li 17/8/13			
2 PLACE	±0.25	±0.01				
1 PLACE	±0.35	±0.015	APPROVED BY DATE	SIZE A4		
0 PLACE	±0.50	±0.02	Fred.Tong 17/8/13			PART NO. EU24FB3M1137
ANGULAR ± 3°			ANGLE OF PROJECTION		SCALE N/A	
METRIC			U.S.		SHEET 1 OF 1	
MM			INCHES			
THIS DRAWING CONTAINS INFORMATION THAT IS PROPRIETARY TO EDOM INCORPORATED AND SHOULD NOT BE USE WITHOUT WRITTEN PERMISSION						REV. A