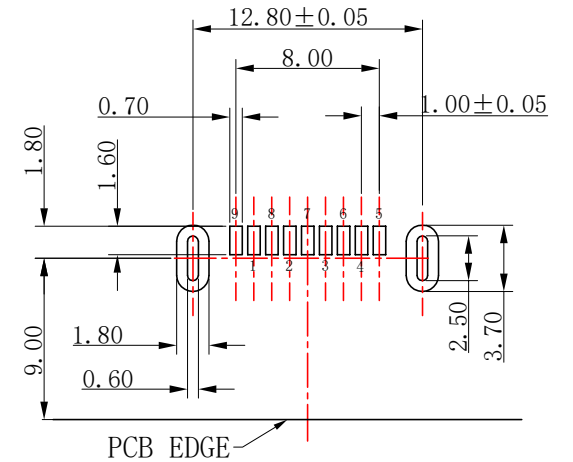
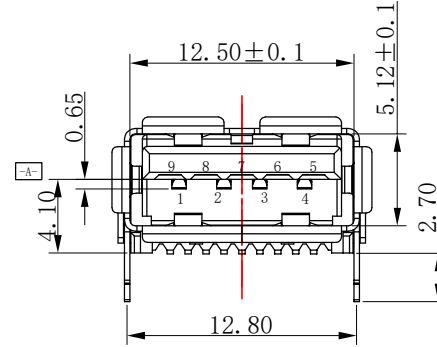
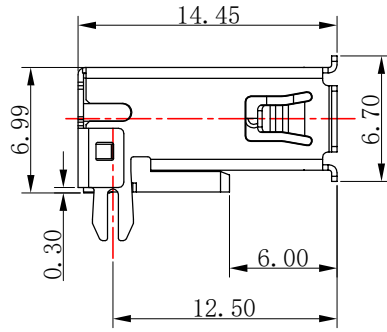
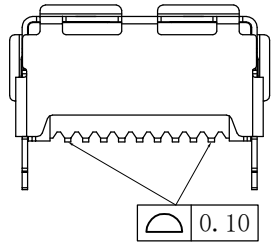
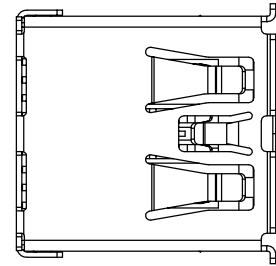


RoHS Compliant

REV.	DESCRIPTION	SIGN	DATE
A	NEW	QinYu	2021.08.23



RECOMMENDED PCB LAYOUT

NOTE:

ELECTRICAL CHARACTERISTICS:

- CONTACT RESISTANCE: 30mΩ MAXIMUM
- CONTACT CURRENT RATING: 1.5A
- DIELECTRIC WITHSTANDING VOLTAGE: 500 V R. M. S.
- INSULATION RESISTANCE 1000 MEGOHMS MIN
- OPERATING TEMPERATURE: -40° C ~ 85° C

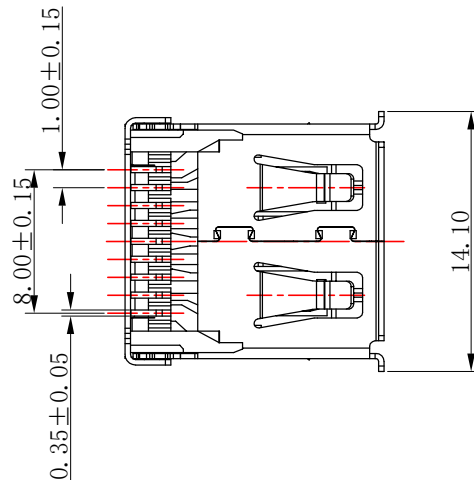
MECHANICAL CHARACTERISTICS:


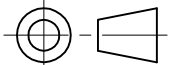
- MATING FORCE: 3.57kg MAX
- UNMATED FORCE: 0.82kg MIN
- DURABILITY: 15,000 CYCLES

MATERIAL LIST:

No.	PART NAME	QTY	MATERIAL	REMARK
3	SHELL	01	BRASS	NI PLATED
2	CONTACT	09	BRONZE	G/F AU/TIN PLATED
1	HOUSING	01	(LCP)THERMOPLASTIC	(UL 94V-0) BLUE

Pin NUMBER	SIGNAL NAME
1	VBUS
2	D-
3	D+
4	GND
5	StdA_SSRX-
6	StdA_SSRX+
7	GND_DRAIN
8	StdA_SSTX-
9	StdA_SSTX+
Shell	Shield



GENERAL TOLERANCES (UNLESS SPECIFIED)			DRAWN BY	DATE	 EDOM ELECTRONICS TEL: +86 0755 27801940 Mob: +86 15889397634 www.techedom.com
ITEM	MM	INCH	QinYu	2021.08.23	
3 PLACE	±0.15	±0.005	CHECKED BY	DATE	
2 PLACE	±0.25	±0.01	Roger	2021.08.23	
1 PLACE	±0.35	±0.015	APPROVED BY	DATE	
0 PLACE	±0.50	±0.02	Fred.Tong	2021.08.23	
ANGULAR ± 2°			ANGLE OF PROJECTION	SIZE	PART NO.
METRIC				A4	EU09FL1N11112
MM				SCALE	N/A

THIS DRAWING CONTAINS INFORMATION THAT IS PROPRIETARY TO EDOM INCORPORATED AND SHOULD NOT BE USE WITHOUT WRITTEN PERMISSION

REV. A