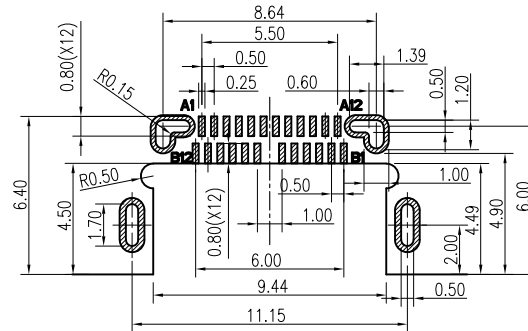
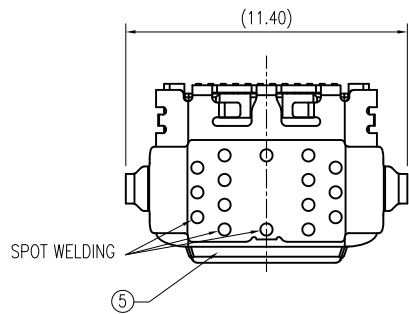


RoHS Compliant

REV.	DESCRIPTION	SIGN	DATE
A	NEW	QinYu	2020/07/01



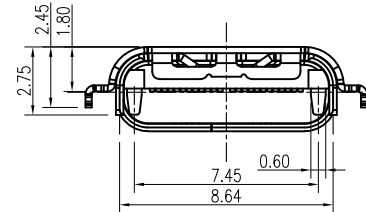
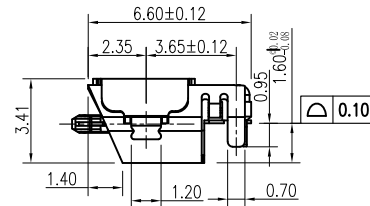
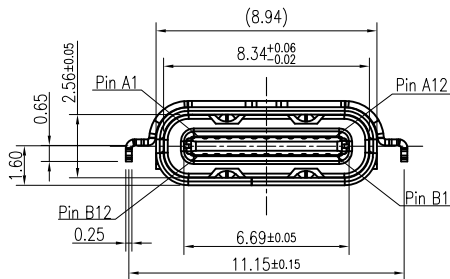
RECOMMENDED P.C.B. LAYOUT T=0.80mm
TOLERANCE UNSPECIFIED ±0.05mm

NOTES:

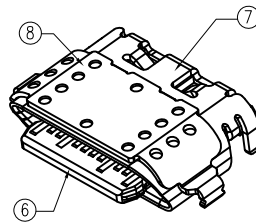
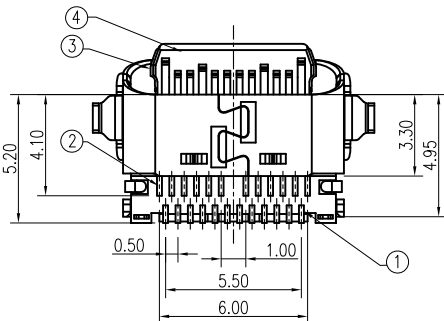
SPECIFICATION:

- CURRENT RATING: 5.0A MAX
- VOLTAGE: 100 VAC
- TEMPERATURE RANGE: -30 °C ~ 85 °C
- CONTACT RESISTANCE: 40 MILLIONHM MAX
- INSULATION RESISTANCE: 100 MEGOHMS MIN.
- INSERTION FORCE : 5N~20N
- UNMATING FORCE: 8N~20N
- DURABILITY: 10,000 CYCLES

NO.	DESCRIPTION	MATERIAL	REMARKS	QTY
8	SHELL-2	STAINLESS STEEL	NI Plated	1PCS
7	SHELL-1	STAINLESS STEEL	NI Plated	1PCS
6	OVER MOLDING	HIGH TEMPERATURE PLASTIC	BLACK	1PCS
5	TOP I/M	HIGH TEMPERATURE PLASTIC	BLACK	1PCS
4	BOTTOM I/M	HIGH TEMPERATURE PLASTIC	BLACK	1PCS
3	MID PLATE	STAINLESS STEEL	TI/NI Plated	1PCS
2	CONTACT-B	COPPER ALLOY	Au/NI Plated	1SET
1	CONTACT-A	COPPER ALLOY	Au/NI Plated	1SET



Pin	Name	Pin	Name
A1	GND	B12	GND
A2	SSTXp1	B11	SSRXp1
A3	SSTXn1	B10	SSRXn1
A4	VBUS	B9	VBUS
A5	CC1	B8	SBU2
A6	Dp1	B7	Dn2
A7	Dn1	B6	Dp2
A8	SBU1	B5	CC2
A9	VBUS	B4	VBUS
A10	SSRXn2	B3	SSTXn2
A11	SSRXp2	B2	SSTXp2
A12	GND	B1	GND



GENERAL TOLERANCES (UNLESS SPECIFIED)		DRAWN BY	DATE
3 PLACE	±0.15 ±0.005	QinYu	2020/07/01
2 PLACE	±0.25 ±0.01	Roger	2020/07/01
1 PLACE	±0.35 ±0.015	Fred.Tong	2020/07/01
0 PLACE	±0.50 ±0.02		

CHECKED BY	DATE
Roger	2020/07/01

APPROVED BY	DATE
Fred.Tong	2020/07/01



TEL: +86 0755 27801940
Mob: +86 15889397634
www.techedom.com

TITLE: USB TYPE C 24PIN 沉板 1.60 CONN 帶上蓋		
SIZE A4	PART NO. EU24FB3N11249X	
SCALE	N/A	SHEET 1 OF 1

THIS DRAWING CONTAINS INFORMATION THAT IS PROPRIETARY TO EDOM INCORPORATED AND SHOULD NOT BE USE WITHOUT WRITTEN PERMISSION

REV.
A