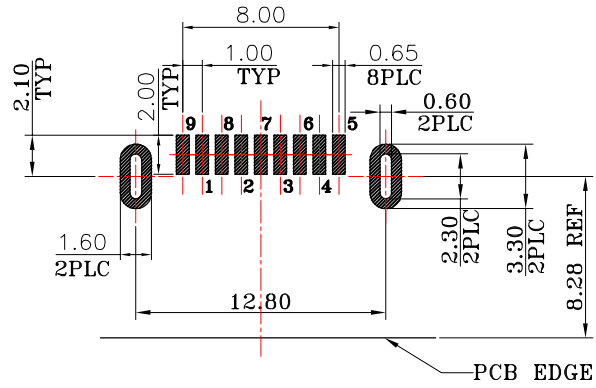
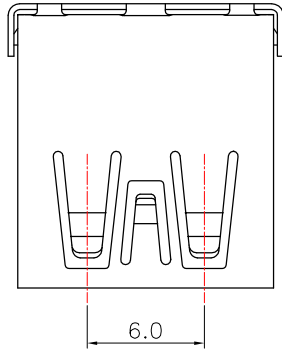


RoHS Compliant

REV.	DESCRIPTION	SIGN	DATE
A	NEW	Fred.Tong	17/06/20



RECOMMENDED PCB LAYOUT

Pin NUMBER	SIGNAL NAME
1	VBUS
2	D-
3	D+
4	GND
5	StdA_SSRX-
6	StdA_SSRX+
7	GND_DRAIN
8	StdA_SSTX-
9	StdA_SSTX+
Shell	Shield

NOTES:

1.ELECTRONIC:

CONTACT CURRENT RATING:1.5A
 CONTACT RESISTANCE: 30mohm MAX
 INSULATION RESISTANCE: 1000 Mohm MIN
 WITHSTAND VOLTAGE:AC 500V,1min.

2.MECHANICAL:

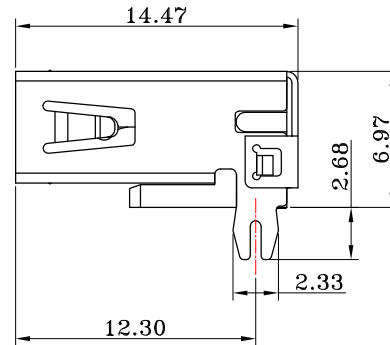
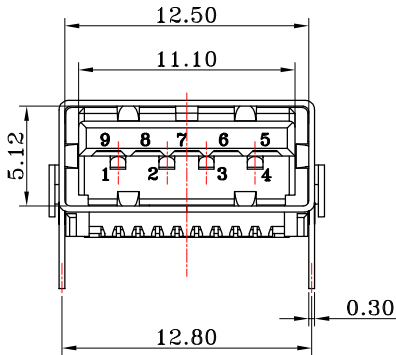
MATING FORCE:3.57KG MAX
 UNMATED FORCE:1.02KG MIN


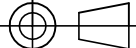
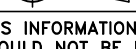
3.ENVIRONMENT CHARACTERISTICS:

OPERTING TEMPERATURE:-55°C TO +105°C

4.MATERIAL LIST:

No.	PART NAME	QTY	MATERIAL	REMARK
3	SHELL	1	COPPER ALLOY	NI PLATED
2	CONTACT	9	COPPER ALLOY	AU /TIN PLATED
1	HOUSING	1	THERMOPLASTIC(LCP)	(UL 94V-0) BLUE



GENERAL TOLERANCES (UNLESS SPECIFIED)			DRAWN BY	DATE	 TEL: +86 0755 27801940 Mob: +86 15889397634 www.techedom.com
ITEM	MM	INCH	Alen.Yu	17/06/20	
3 PLACE	±0.15	±0.005	CHECKED BY	DATE	TITLE: USB 3.0 AF R&A SMT鱼叉脚
2 PLACE	±0.25	±0.01	Liang.Li	17/06/20	
1 PLACE	±0.35	±0.015	APPROVED BY	DATE	
0 PLACE	±0.50	±0.02	Fred.Tong	17/06/20	
ANGULAR ± 3°			ANGLE OF PROJECTION		SIZE A4
METRIC	U.S.				
MM	INCHES				SCALE N/A
THIS DRAWING CONTAINS INFORMATION THAT IS PROPRIETARY TO EDOM INCORPORATED AND SHOULD NOT BE USE WITHOUT WRITTEN PERMISSION					SHEEL 1 OF 1
					REV. A