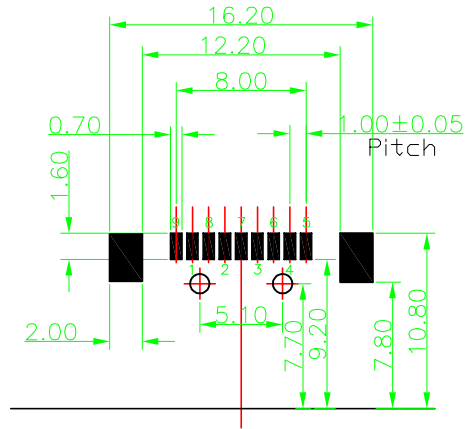
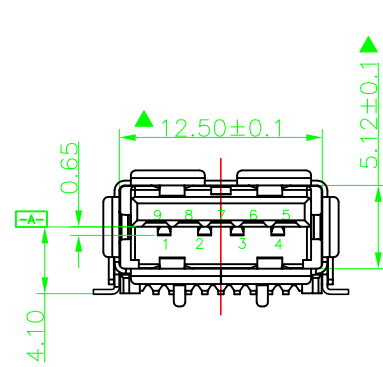
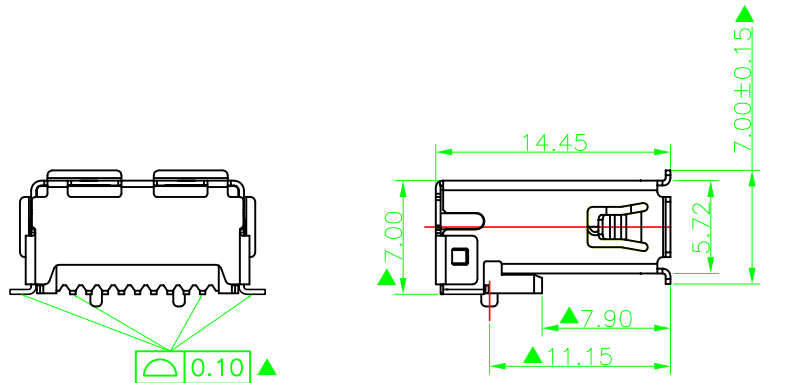
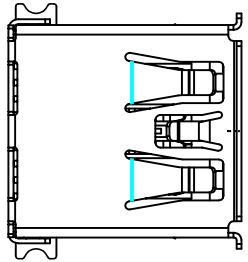
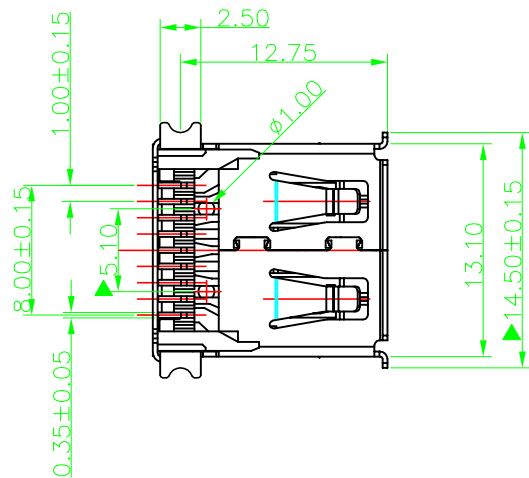


REV.	DESCRIPTION	SIGN	DATE
A	NEW	Fred.Tong	20/03/09

RoHS Compliant



RECOMMENDED PCB LAYOUT


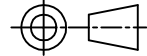


NOTES:

- ELECTRONIC:
CONTACT RESISTANCE: 30mohm MAX
INSULATION RESISTANCE: 1000 Mohm MIN
WITHSTAND VOLTAGE:AC 500V,1min.
- MECHANICAL:
DURABILITY: 3000 CYCLE.
- ENVIRONMENT CHARACTERISTICS:
OPERTING TEMPERATURE:-55°C TO +105°C

4.MATERIAL LIST:

No.	PART NAME	QTY	MATERIAL	REMARK
3	CONTACT	1	COPPER ALLOY	NI PLATED
2	SHELL	9	COPPER ALLOY	AU/TIN PLATED
1	HOUSING	1	LCP 红色	(UL 94V-0)

GENERAL TOLERANCES (UNLESS SPECIFIED)			DRAWN BY Alen.Yu	DATE 20/03/09	 TEL: +86 0755 27801940 Mob: +86 15889397634 www.techedom.com
ITEM	MM	INCH	CHECKED BY Liang.Li	DATE 20/03/09	
3 PLACE	±0.15	±0.005	APPROVED BY Fred.Tong	DATE 20/03/09	TITLE: USB3.0 A TYPE FEMALE 90度 全SMT
2 PLACE	±0.25	±0.01	ANGLE OF PROJECTION 		
1 PLACE	±0.35	±0.015	METRIC U.S. MM INCHES		PART NO. EU09FR1N11108
0 PLACE	±0.50	±0.02	ANGULAR ± 3°		SCALE N/A
THIS DRAWING CONTAINS INFORMATION THAT IS PROPRIETARY TO EDOM INCORPORATED AND SHOULD NOT BE USE WITHOUT WRITTEN PERMISSION					SHEEL 1 OF 1

REV. A