

RoHS Compliant

REV.	DESCRIPTION	SIGN	DATE
A	NEW	Fred.Tong	17/06/20

NOTES:

1.ELECTRONIC:

CONTACT CURRENT RATING:1.5A
 CONTACT RESISTANCE: 30mohm MAX
 INSULATION RESISTANCE: 1000 Mohm MIN
 WITHSTAND VOLTAGE:AC 500V,1min.

2.MECHANICAL:

MATING FORCE:3.57KG MAX
 UNMATED FORCE:1.02KG MIN

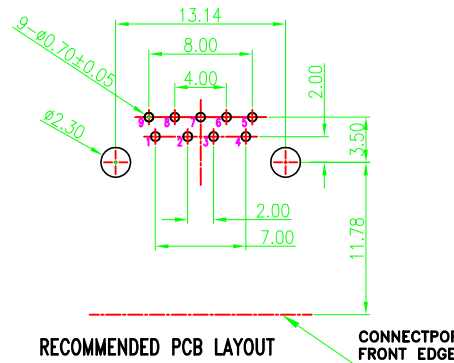
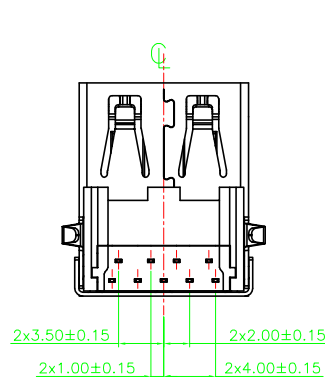
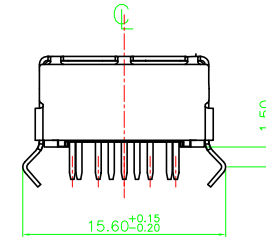
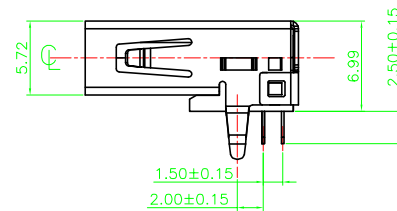
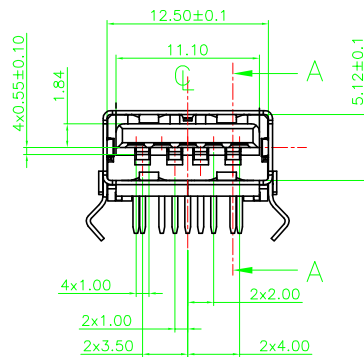
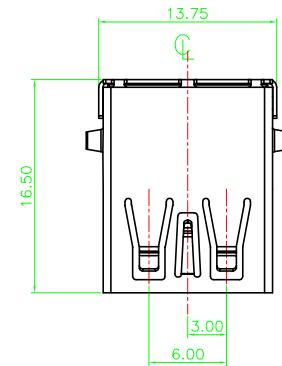
3.ENVIRONMENT CHARACTERISTICS:

OPERTING TEMPERATURE:-55°C TO +105°C

4. 料号说明:EU09F X X X X 2183

L=蓝色
 B=黑色
 1=铜壳
 2=铁壳
 3=不锈钢壳

1=端子1U”
 5=端子15U”
 6=端子30U”
 N=外壳镀镍
 A=外壳镀金



5.MATERIAL LIST:

No.	PART NAME	QTY	MATERIAL	REMARK
3	SHELL	1	SPCC/COPPER ALLOY	NI PLATED
2	CONTACT	9	COPPER ALLOY	AU /TIN PLATED
1	HOUSING	1	THERMOPLASTIC(PBT)	(UL 94V-0) BLACK

GENERAL TOLERANCES (UNLESS SPECIFIED)		DRAWN BY	DATE
ITEM	MM	Alen.Yu	17/06/20
3 PLACE	±0.15	CHECKED BY	DATE
2 PLACE	±0.25	Fred.Tong	17/06/20
1 PLACE	±0.35	APPROVED BY	DATE
0 PLACE	±0.50		
ANGULAR ± 3°		ANGLE OF PROJECTION	
METRIC	U.S.		
MM	INCHES		

EDOM ELECTRONICS TEL: +86 0755 27801940
 Mob: +86 15889397634
 www.techedom.com

TITLE:
USB3.0 AF R&A DIP H6.99 WITHOUT FLANG

SIZE
A4

PART NO.
EU09FLXNX2183

SCALE
 N/A

SHEET 1 OF 1

THIS DRAWING CONTAINS INFORMATION THAT IS PROPRIETARY TO EDOM INCORPORATED AND SHOULD NOT BE USE WITHOUT WRITTEN PERMISSION

REV.
A