

RoHS Compliant

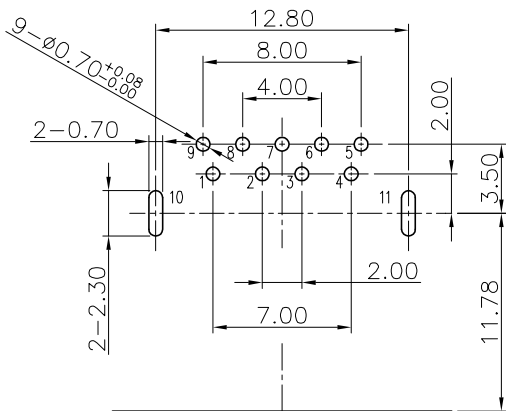
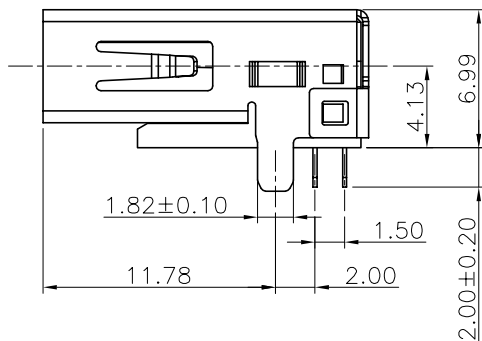
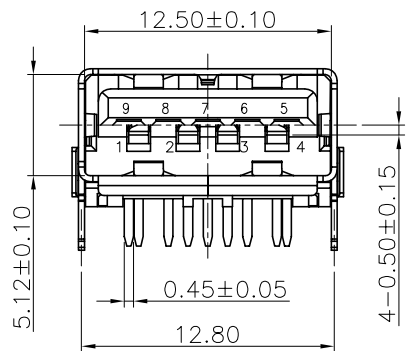
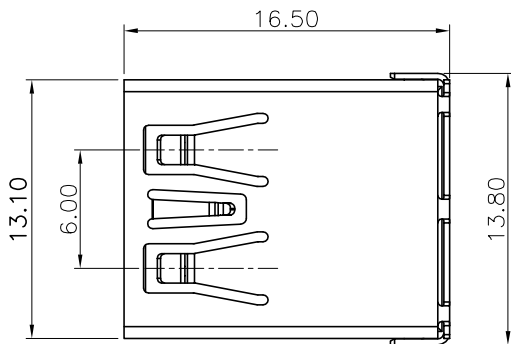
REV.	DESCRIPTION	SIGN	DATE
A	NEW	Fred.Tong	2016/06/18
B	1. 新增不锈钢外壳选项、2. 更新图框	RuoBiaoLing	2021/01/07

A

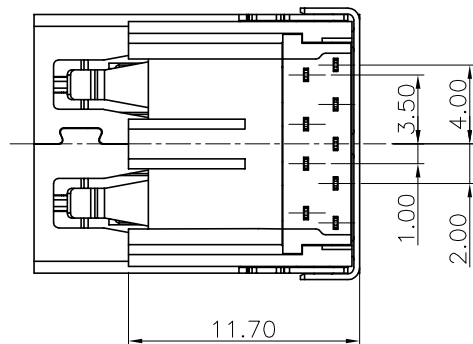
B

C

D



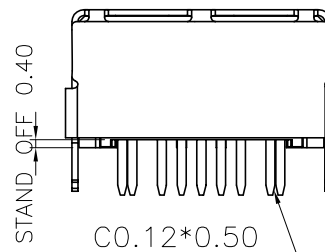
RECOMMENDED PCB LAYOUT



NOTES:

- ELECTRONIC:
CONTACT RESISTANCE: 30mohm MAX
INSULATION RESISTANCE: 1000 Mohm MIN
WITHSTAND VOLTAGE: AC 500V,1min.
- MECHANICAL:
DURABILITY: 1500 CYCLE.
- ENVIRONMENT CHARACTERISTICS:
OPERING TEMPERATURE: -25°C TO +85°C
- RECOMMANDER PCB THICKNESS 1.2 TO 1.60MM
- 料号说明: EU09F X X X X 2207 X X

- L=蓝胶芯
- B=黑胶芯
- 1=铜壳
- 2=铁壳
- 3=不锈钢
- N=外壳镀镍
- A=外壳镀金
- R=REEL
- T=TRAY
- P=PE BAGE
- S=RoHS
- H=HF
- 1=端子 1U"
- 3=端子 3U"
- 5=端子 15U"
- 6=端子 30U"



MATERIAL LIST:

No.	PART NAME	QTY	MATERIAL	REMARK
5	SHELL	1	SEE NOTES	SEE NOTES
4	5PIN	5	COPPER ALLOY	AU/TIN PLATED
3	4PIN	4	COPPER ALLOY	AU/TIN PLATED
2	COVER	1	LCP	(UL94V-0)
1	HOUSING	1	LCP	(UL94V-0)

GENERAL TOLERANCES (UNLESS SPECIFIED)		DRAWN BY		DATE		EDOM ELECTRONICS	TEL: +86 0755 27801940 Mob: +86 15889397634 www.techedom.com
ITEM	MM	INCH	RuoBiaoLing	2021/01/07			
3 PLACE	±0.15	±0.005	CHECKED BY	DATE	/		
2 PLACE	±0.25	±0.01	APPROVED BY	DATE	Fred.Tong 2021/01/07		
1 PLACE	±0.35	±0.015	ANGLE OF PROJECTION				
0 PLACE	±0.50	±0.02	ANGULAR ± 3°			SIZE A4	PART NO. EU09FXXXX2207XX
METRIC		U.S.		SCALE		SHEEL 1 OF 1	
MM		INCHES					

THIS DRAWING CONTAINS INFORMATION THAT IS PROPRIETARY TO EDOM INCORPORATED AND SHOULD NOT BE USE WITHOUT WRITTEN PERMISSION

REV. A

1

2

3

4

5