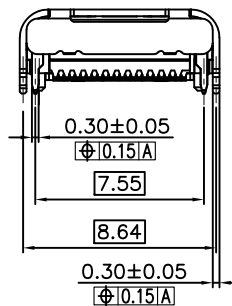
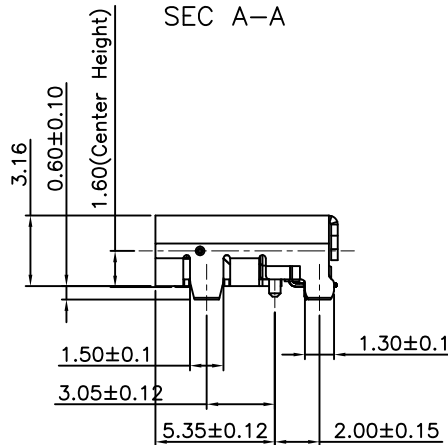
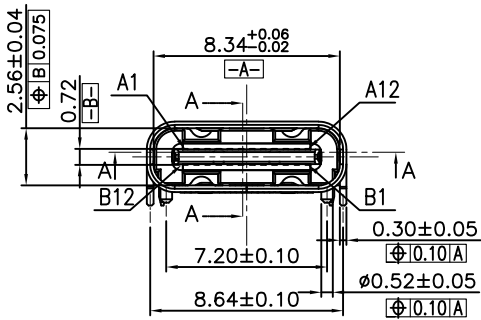
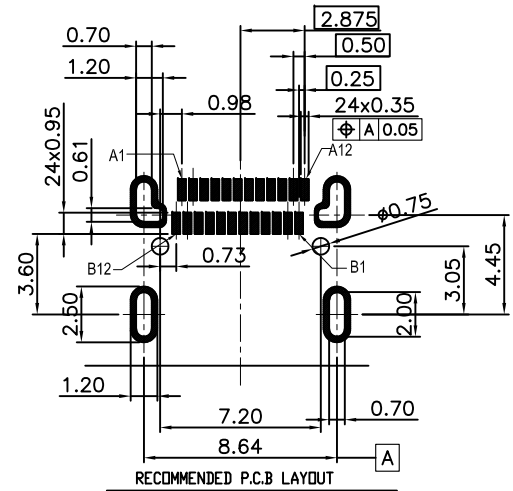
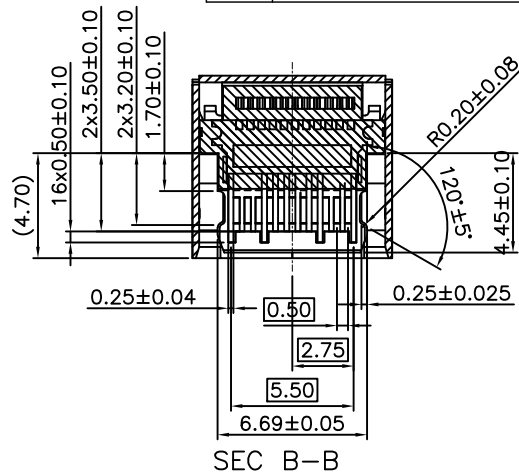
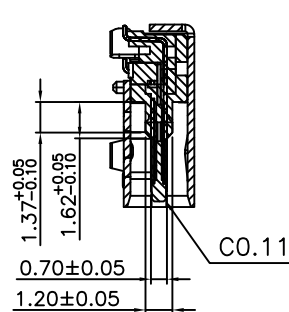
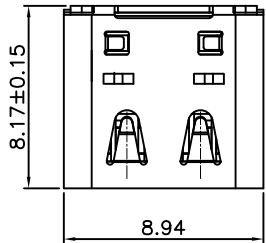


RoHS Compliant

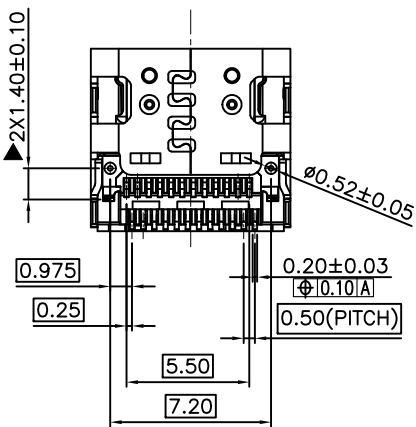
REV.	DESCRIPTION	SIGN	DATE
A	NEW	RuoBiaoLing	2020/12/25



- NOTE:
- ELECTRICAL CHARACTERISTICS:
 - VOLTAGE RATING:100 VAC RMS
 - CURRENT RATING:3A FOR PIN(A4,A9,B4,B9), 1.25A FOR OTHERS PIN
 - CONTACT RESISTANCE:40 MILLIOHMS MAX
 - INSULATION RESISTANCE:100 MEGOHMS MIN
 - DIELECTRIC STRENGTH:100V AC RMS 50Hz.1MIN
 - ENVIRONMENTAL:
 - TEMPERATURE RANGE:-40°C +85°C
 - RELATIVE HUMIDITY:90% 95%(40±2°C)

3.MATERIAL LIST:

No.	PART NAME	QTY	MATERIAL	REMARK
4	MID PLATE	1	STAINLESS STEEL	NO PLATED
3	SHELL	1	STAINLESS STEEL	NI PLATED
2	CONTACT	24	COPPER ALLOY	GOLD PLATED
1	HOUSING	1	THERMOPLASTIC	(UL 94V-0)



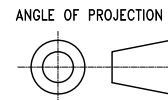
A1	GND	B12	GND
A2	SSTXP1	B11	SSRXP1
A3	SSTXN1	B10	SSRXN1
A4	VBUS	B9	VBUS
A5	CC1	B8	SBU2
A6	DP1	B7	DN2
A7	DN1	B6	DP2
A8	SBU1	B5	CC2
A9	VBUS	B4	VBUS
A10	SSRXN2	B3	SSTXN2
A11	SSRXP2	B2	SSTXP2
A12	GND	B1	GND
PIN	SIGNAL NAME	PIN	SIGNAL NAME

GENERAL TOLERANCES (UNLESS SPECIFIED)			
ITEM	MM	INCH	
3 PLACE	±0.15	±0.005	
2 PLACE	±.25	±0.01	
1 PLACE	±0.35	±0.015	
0 PLACE	±0.50	±0.02	
ANGULAR ± 3°			
METRIC	U.S.		
MM	INCHES		

DRAWN BY		DATE	
RuoBiaoLing		2020/12/25	
CHECKED BY		DATE	
/		/	
APPROVED BY		DATE	
Fred.Tong		2020/12/25	

EDOM ELECTRONICS TEL: +86 0755 27801940
Mob: +86 15889397634
www.techedom.com

TITLE:
USB TYPE C 板上 CH1.60 双贴母座



SIZE	PART NO.	
A4	EU24F2B3N61358SR	
SCALE	N/A	SHEET 1 OF 1

THIS DRAWING CONTAINS INFORMATION THAT IS PROPRIETARY TO EDOM INCORPORATED AND SHOULD NOT BE USE WITHOUT WRITTEN PERMISSION

REV. A