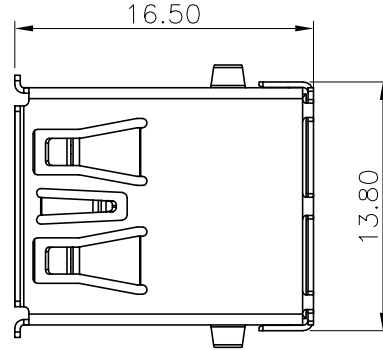
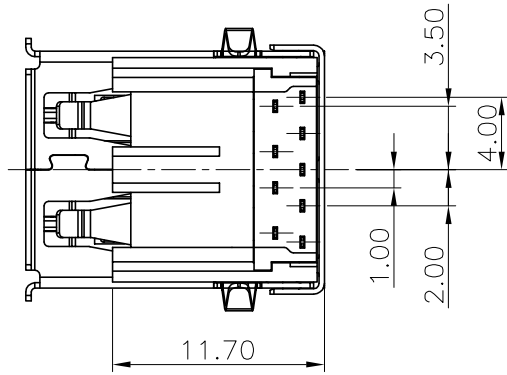
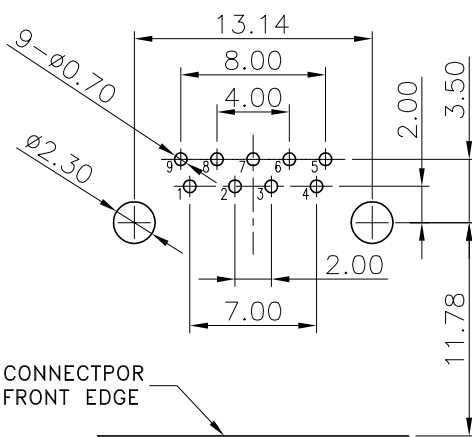
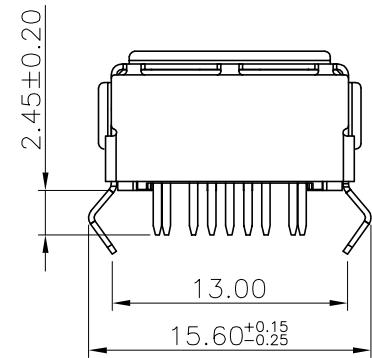
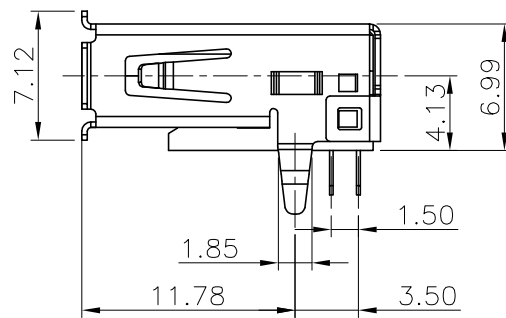
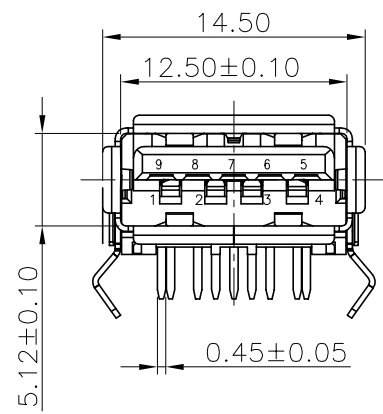


RoHS Compliant

REV.	DESCRIPTION	SIGN	DATE
A	NEW	Fred.Tong	2016/06/18



NOTES:
 1.ELECTRONIC:
 CONTACT RESISTANCE: 30mohm MAX
 INSULATION RESISTANCE: 1000 Mohm MIN
 WITHSTAND VOLTAGE:AC 500V,1min.
 2.MECHANICAL:
 DURABILITY: 3000 CYCLE.
 3.ENVIRONMENT CHARACTERISTICS:
 OPERTING TEMPERATURE:-55°C TO +105°C
 4.RECOMMANDER PCB THICKNESS 1.2 TO 1.60MM



MATERIAL LIST:

No.	PART NAME	QTY	MATERIAL	REMARK
5	SHELL	1	C2680-H	NICKEL PLATED
4	5PIN	5	C2680-H	AU/TIN PLATED
3	4PIN	4	C5191-H	AU/TIN PLATED
2	COVER	1	PA10T	(UL94V-0) YELLOW
1	HOUSING	1	PA10T	(UL94V-0) YELLOW

GENERAL TOLERANCES (UNLESS SPECIFIED)		DRAWN BY Alen.Yu	DATE 2016/06/18
ITEM	MM	CHECKED BY	DATE
3 PLACE	±0.15	/	
2 PLACE	±0.25		
1 PLACE	±0.35	APPROVED BY Fred.Tong	DATE 2016/06/18
0 PLACE	±0.50		
ANGULAR ± 3°		ANGLE OF PROJECTION	
METRIC	U.S.		
MM	INCHES		

EDOM ELECTRONICS
 TEL: +86 0755 27801940
 Mob: +86 15889397634
 www.techedom.com

TITLE:
 USB 3.0 AF 90度 DIP 弯脚 侧弹朝前
 加长款胶芯 黄色PA10T 脚长2.45

SIZE A4	PART NO. EU09F2Y1N12306ST
SCALE N/A	SHEET 1 OF 1

THIS DRAWING CONTAINS INFORMATION THAT IS PROPRIETARY TO EDOM INCORPORATED AND SHOULD NOT BE USE WITHOUT WRITTEN PERMISSION

REV.
A