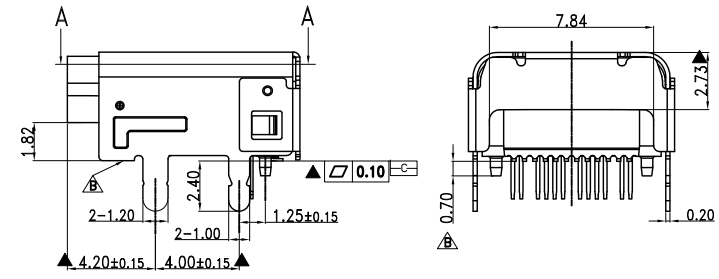
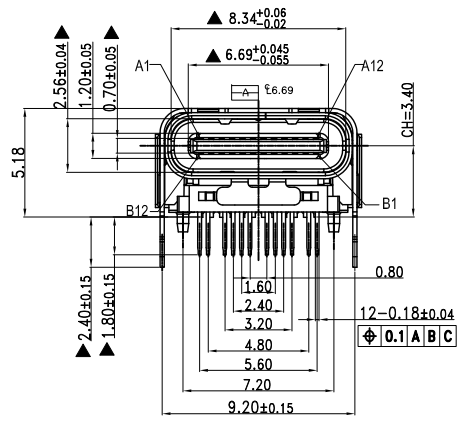
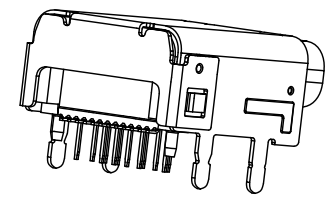
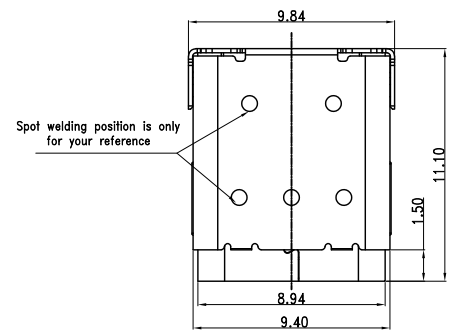


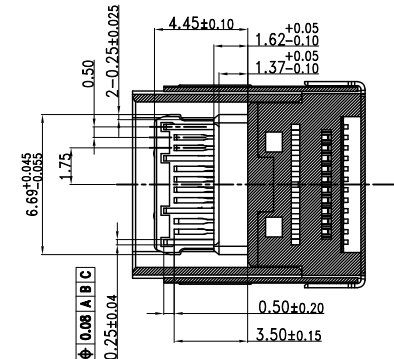
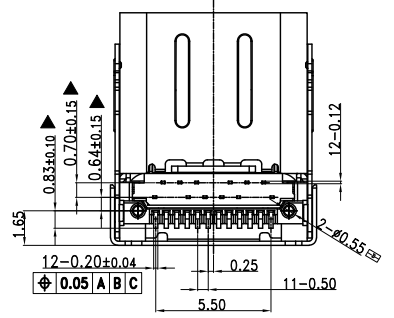
RoHS Compliant

REV.	DESCRIPTION	SIGN	DATE
A	NEW	Fred.Tong	2020/12/25
B	1. 定位柱长度由1.0修改为0.70; 2. 上排端子增加负角度管控改善 MOLDING外胀变更形; 3. 外壳盖板由凸点式改成平面式	Fred.Tong	2021/7/14



- 1.ELECTRICAL: 5A Max .  
VOLTAGE: 5VAC MAX  
WITHSTANDING VOLTAGE: 100V AC.  
CONTACT RESISTANCE: 40mΩ MAX.  
INSULATION RESISTANCE: 100MΩ MIN.
- 2.MECHANICAL:  
INSERTION: 5~20N.  
EXTRACTION: 8~20N.  
DURABILITY: 10000 CYCLES
- 3.ENVIRONMENTAL  
TEMPERATURE RANGE -55°C ~ +85°C
- 4.MATERIAL LIST:

No.	PART NAME	QTY	MATERIAL	REMARK
5	MID PLATE	1	STAINLESS STEEL(SUS301)	
4	OUT SHELL	1	STAINLESS STEEL(SUS304)	NI 30U <sup>TM</sup> PLATED
3	INNER SHELL	1	STAINLESS STEEL(SUS304)	NI 30U <sup>TM</sup> PLATED
2	CONTACT	24	COPPER ALLOY(C7025)	AU 3U+SN 80U <sup>TM</sup> PLATED
1	HOUSING	1	THERMOPLASTIC(LCP)	(UL 94V-0) BLACK



SECTION A-A

GENERAL TOLERANCES (UNLESS SPECIFIED)		DRAWN BY RuoBiaoLing	DATE 2021/7/14
ITEM	MM	INCH	CHECKED BY / DATE
3 PLACE	±0.15	±0.005	
2 PLACE	±0.25	±0.01	
1 PLACE	±0.35	±0.015	
0 PLACE	±0.50	±0.02	
APPROVED BY Fred.Tong		DATE 2021/7/14	
ANGULAR ± 3°		ANGLE OF PROJECTION	
METRIC	U.S.		
MM	INCHES		

**EDOM ELECTRONICS** TEL: +86 0755 27801940  
Mob: +86 15889397634  
www.techedom.com

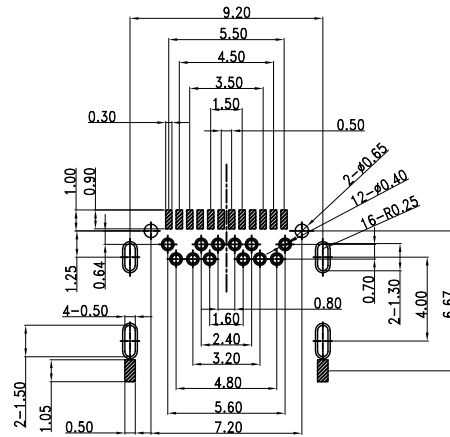
TITLE: USB TYPE CF 加高型 CH3.40 DTP+SMT 外壳尾部掏空 (外壳前段平面式)		
SIZE A4	PART NO. EU24F2B3N32352SR	
SCALE N/A	SHEET 1 OF 1	

THIS DRAWING CONTAINS INFORMATION THAT IS PROPRIETARY TO EDOM INCORPORATED AND SHOULD NOT BE USE WITHOUT WRITTEN PERMISSION

REV. B

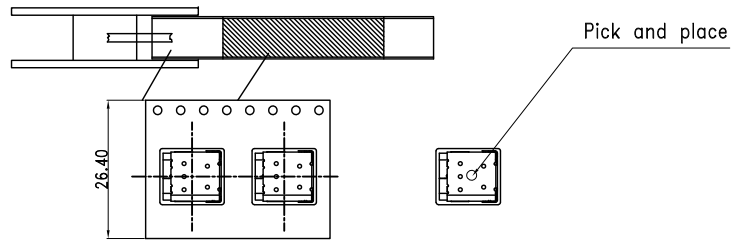
RoHS Compliant

REV.	DESCRIPTION	SIGN	DATE
A	NEW	Fred.Tong	2020/12/25
B	1. 定位柱长度由1.0修改为0.70; 2. 上排端子增加负角度管控改善 MOLDING外胀变更形; 3. 外壳露板面由凸点式改成平面式	Fred.Tong	2021/7/14



RECOMMENDED P.C.B. LAYOUT (COMPONENT SIDE)  
PCB THICKNESS: 2.0±0.05mm

Pin No	Signal Name	Mating Sequence	Pin No	Signal Name	Mating Sequence
A1	GND	First	B12	GND	First
A2	TX1+	Second	B11	RX1+	Second
A3	TX1-	Second	B10	RX1-	Second
A4	Vbus	First	B9	Vbus	First
A5	CC1	Second	B8	SBU2	Second
A6	D+	Second	B7	D-	Second
A7	D-	Second	B6	D+	Second
A8	SBU1	Second	B5	CC2	Second
A9	Vbus	First	B4	Vbus	First
A10	RX2-	Second	B3	TX2-	Second
A11	RX2+	Second	B2	TX2+	Second
A12	GND	First	B1	GND	First
SHELL	GND		SHELL	GND	

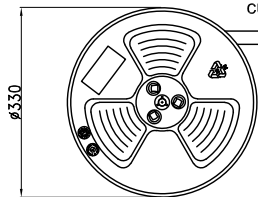


Pick and place


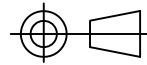
26.40



customer unwinding direction



PACK DIRECTION

GENERAL TOLERANCES (UNLESS SPECIFIED)			DRAWN BY DATE RuoBiaoLing 2021/7/14		 TEL: +86 0755 07801940 Mob: +86 15889397634 www.techedom.com
ITEM	MM	INCH	CHECKED BY DATE /		
3 PLACE	±0.15	±0.005	APPROVED BY DATE Fred.Tong 2021/7/14		TITLE: USB TYPE CF 加高型 CH3.40 DTP+SMT 外壳尾部镂空 (外壳前段平面式)
2 PLACE	±0.25	±0.01	ANGLE OF PROJECTION		SIZE A4
1 PLACE	±0.35	±0.015			PART NO. EU24F2B3N32352SR
0 PLACE	±0.50	±0.02			SCALE N/A
THIS DRAWING CONTAINS INFORMATION THAT IS PROPRIETARY TO EDOM INCORPORATED AND SHOULD NOT BE USE WITHOUT WRITTEN PERMISSION					REV. B