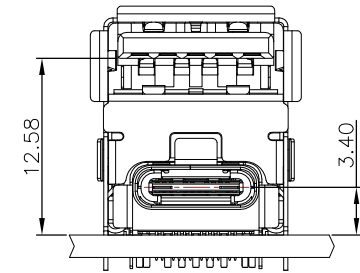
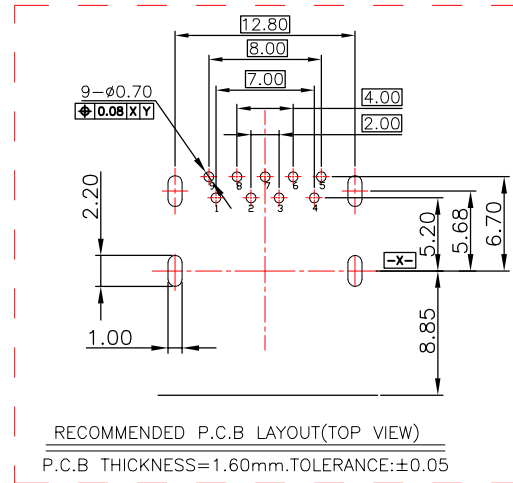
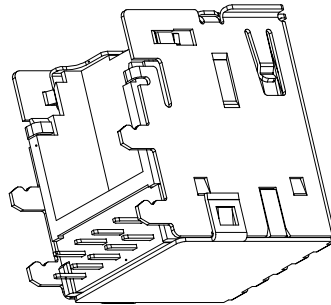
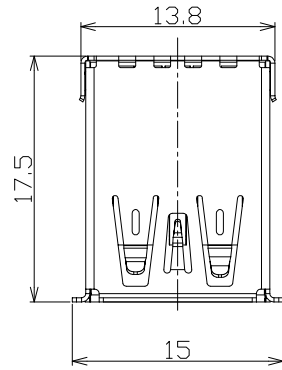
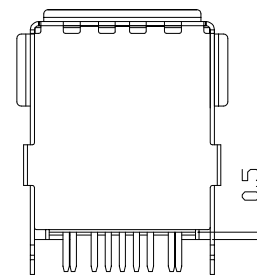
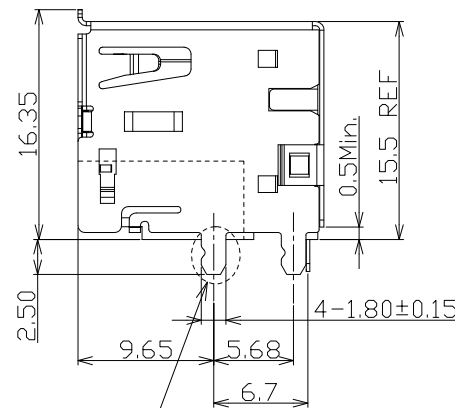
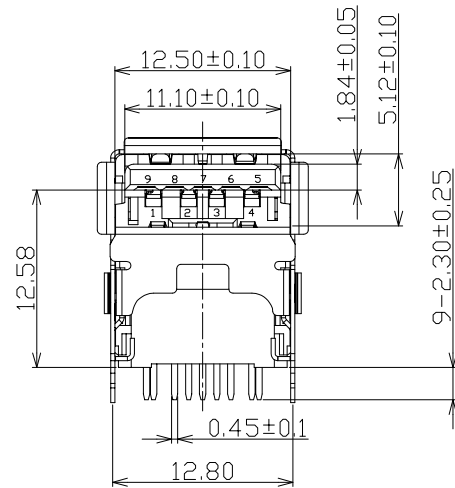


RoHS Compliant

REV.	DESCRIPTION	SIGN	DATE
A	NEW	Fred.Tong	17/10/20



HIGE RISE USB3.1+USB TYPE C



The shell feet Wetting tin*4

NOTES:

1.ELECTRONIC:

CONTACT RESISTANCE: 30mohm MAX
 INSULATION RESISTANCE: 1000 Mohm MIN
 WITHSTAND VOLTAGE:AC 500V,1min.


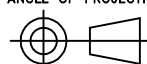
2.MECHANICAL:

INSERTION FORCE:3.5KG MAX.
 WITHDRAWAL FORCE:1.0KG MIN
 AFTER TEST:0.80KG
 DURABILITY: 5000 CYCLE.

3.ENVIRONMENT CHARACTERISTICS:

OPERTING TEMPERATURE:-55°C TO +105°C

No.	PART NAME	QTY	MATERIAL	REMARK
5	MIDDLE SHELL		SUS201	NI PLATED
4	SHELL	1	SUS430	NI PLATED
3	5P CONTACT	1	C5191	AU 30U"/SN PLATED
2	4P CONTACT	1	C5191	AU 30U"/SN PLATED
1	HOUSING	1	PA9T	(UL 94V-0) BLACK

GENERAL TOLERANCES (UNLESS SPECIFIED)			DRAWN BY	DATE	 TEL: +86 0755 27801940 Mob: +86 15889397634 www.techedom.com
ITEM	MM	INCH	Alen.Yu	17/10/20	
3 PLACE	±0.15	±0.005	Checked BY	Liang.Li 17/10/20	
2 PLACE	±0.25	±0.01	APPROVED BY	Fred.Tong 17/10/20	
1 PLACE	±0.35	±0.015			TITLE: USB 3.0 AF H15.44 RIGHT ANGLE DIP
0 PLACE	±0.50	±0.02			SIZE A4
			ANGLE OF PROJECTION		PART NO. EU09FB3N62175
ANGULAR ± 3°					SCALE
METRIC					N/A
MM					SHEEL 1 OF 1

THIS DRAWING CONTAINS INFORMATION THAT IS PROPRIETARY TO EDOM INCORPORATED AND SHOULD NOT BE USE WITHOUT WRITTEN PERMISSION

REV. A