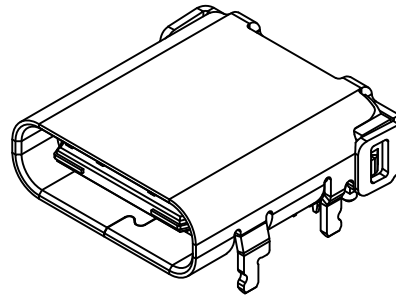
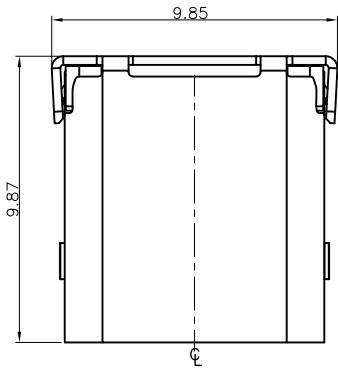


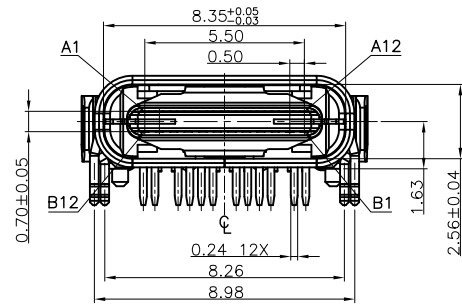
RoHS Compliant

REV.	DESCRIPTION	SIGN	DATE
A	NEW	Fred.Tong	17/8/13

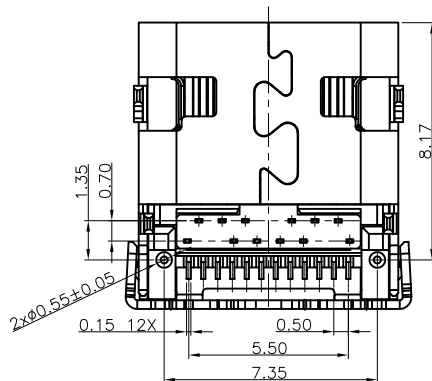
A



B



C



D

NOTE:

1.MATERIAL:

- 1.1 INSULATOR: HIGH TEMPERATURE PLASTIC UL 94 V-0;
- 1.2 CONTACT: COPPER ALLOY
- 1.3 SHELL:STAINLESS STEEL

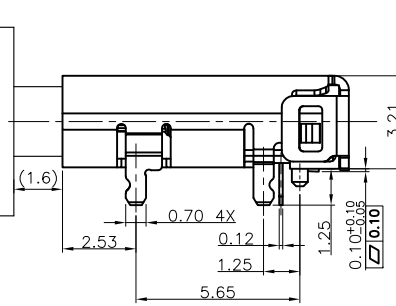
2.ELECTRICAL CHARACTERISTICS;

- 2.1 CONTACT RESISTANCE: 40mΩ Max FOR INITIAL, 10mΩ CHANGE AFTER TEST. MEASURE AT 20mV, 100mA.
- 2.2 CONTACT CURRENT RATING: 5A FOR VBUS PIN; 125A FOR VCONN PIN.
- 2.3 DIELECTRIC WITHSTANDING VOLTAGE: 100V AC R.M.S.
- 2.4 INSULATION RESISTANCE 100MΩ Min
- 2.5 OPERATING TEMPERATURE: -40°C ~ 85°C

3 MECHANICAL CHARACTERISTICS:

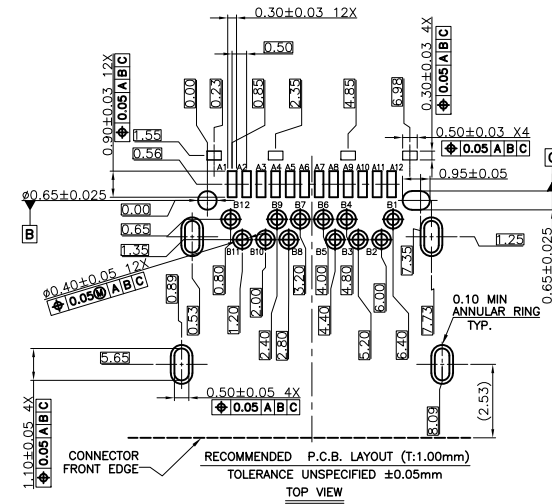
- 3.1 MATING FORCE: 5~20 N.
- 3.2 UNMATED FORCE: 8~20N AFTER TEST
- 3.3 DURABILITY: 10,000 CYCLES

3



3

4



4

5

	A		B
1	GND	12	GND
2	TX+	11	RX-
3	TX-	10	RX+
4	VBUS	9	PWR
5	CC	8	SBU2
6	D-	7	D+
7	D+	6	D-
8	SBU1	5	Vconn
9	VBUS	4	PWR
10	RX+	3	TX+
11	RX-	2	TX-
12	GND	1	GND

5

GENERAL TOLERANCES (UNLESS SPECIFIED)		DRAWN BY Alen.Yu	DATE 17/8/13	TEL: +86 0755 27801940 Mob: +86 15889397634 www.techedom.com
ITEM	MM	INCH	CHECKED BY Fred.Tong	
3 PLACE	±0.15	±0.005	APPROVED BY	DATE
2 PLACE	±0.25	±0.01	TITLE: <b>USB3.1 C TYPE FEMALE 板上型 90度</b> <b>SMT+DIP 外壳尾部有焊点 无上弹片</b>	
1 PLACE	±0.35	±0.015		
0 PLACE	±0.50	±0.02	ANGLE OF PROJECTION	SIZE A4
ANGULAR ± 3°				PART NO. <b>EU24MB3N61312</b>
METRIC	U.S.			SCALE
MM	INCHES-	THIS DRAWING CONTAINS INFORMATION THAT IS PROPRIETARY TO EDOM INCORPORATED AND SHOULD NOT BE USE WITHOUT WRITTEN PERMISSION		SHEET 1 OF 1
				REV. A

1

2

5