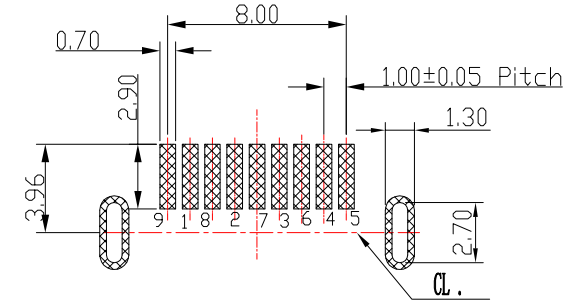
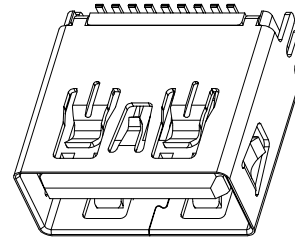
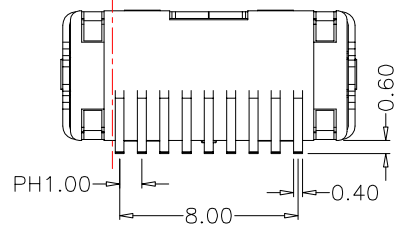
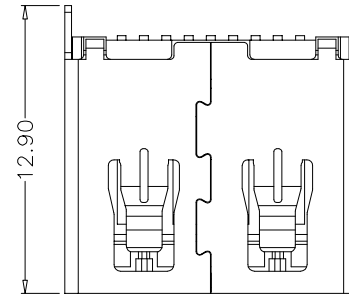
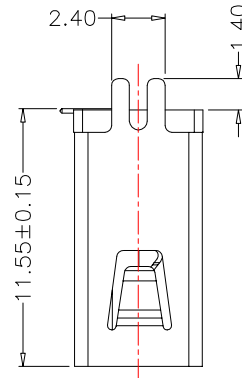
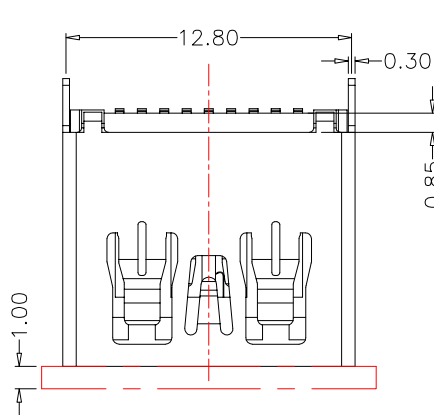


RoHS Compliant

REV.	DESCRIPTION	SIGN	DATE
A	NEW	Fred.Tong	19/10/17



P. C. B LAYOUT T=1.20mm±0.05



NOTES:

1.ELECTRONIC:

CONTACT CURRENT RATING:1.5A
 CONTACT RESISTANCE: 30mohm MAX
 INSULATION RESISTANCE: 1000 Mohm MIN
 WITHSTAND VOLTAGE:AC 500V,1min.

2.MECHANICAL:

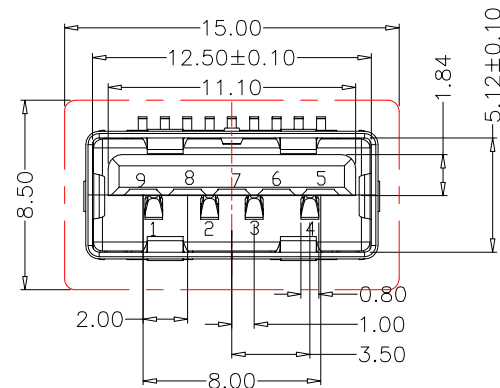
MATING FORCE:3.57KG MAX
 UNMATED FORCE:1.02KG MIN
 DURABILITY: 5000 CYCLE.

3.ENVIRONMENT CHARACTERISTICS:

OPERING TEMPERATURE:-25°C TO +85°C

4.MATERIAL LIST:

No.	PART NAME	QTY	MATERIAL	REMARK
3	SHELL	1	STEEL	NI 50U" PLATED
2	CONTACT	9	COPPER ALLOY	AU 1U" /TIN 100U"PLATED
1	HOUSING	1	THERMOPLASTIC(LCP)	(UL 94V-0) BLACK



GENERAL TOLERANCES (UNLESS SPECIFIED)			DRAWN BY	DATE
ITEM	MM	INCH	Alen.Yu	19/10/17
3 PLACE	±0.15	±0.005	CHECKED BY	DATE
2 PLACE	±0.25	±0.01	Fred.Tong	19/10/17
1 PLACE	±0.35	±0.015	APPROVED BY	DATE
0 PLACE	±0.50	±0.02		
ANGULAR ± 3°			ANGLE OF PROJECTION	
METRIC	U.S.			
MM	INCHES			

EDOM ELECTRONICS TEL: +86 0755 27801940
 Mob: +86 15889397634
 www.techedom.com

TITLE:
 USB3.0 AF VERTICAL SMT H11.50 黑色胶芯
 带吸取盖 铁壳镀镍

SIZE	PART NO.	
A4	EU09FB2N12274	
SCALE	N/A	SHEET 1 OF 1

THIS DRAWING CONTAINS INFORMATION THAT IS PROPRIETARY TO EDOM INCORPORATED AND SHOULD NOT BE USE WITHOUT WRITTEN PERMISSION

REV.
A