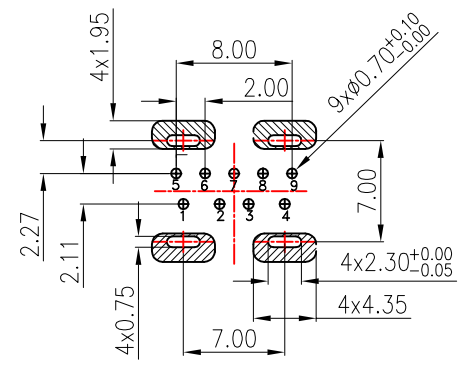
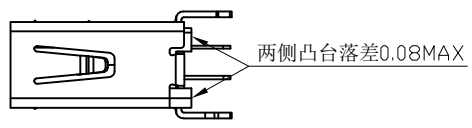
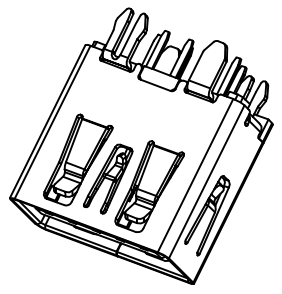
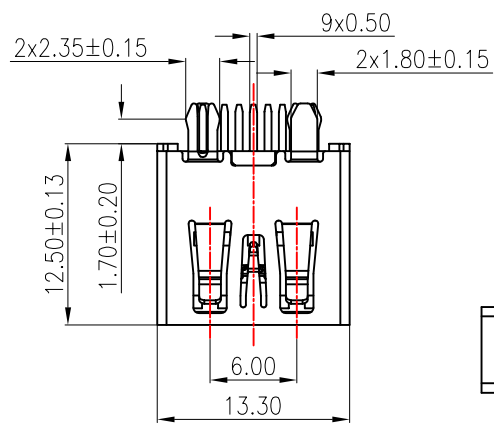


RoHS Compliant

REV.	DESCRIPTION	SIGN	DATE
A	NEW	Fred.Tong	2020/03/23
B	△ 外壳脚变更	Fred.Tong	2020/06/10

A
B
C
D



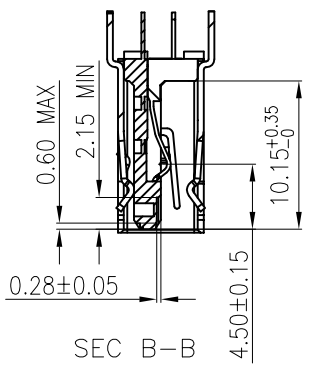
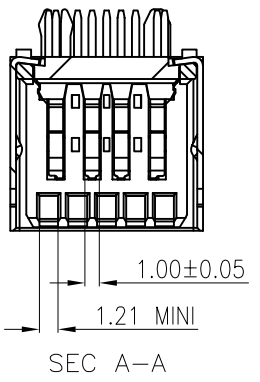
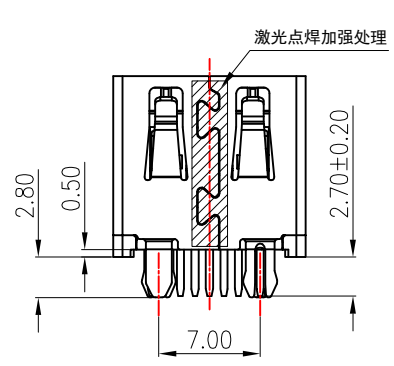
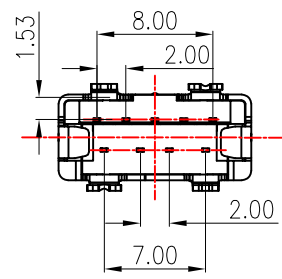
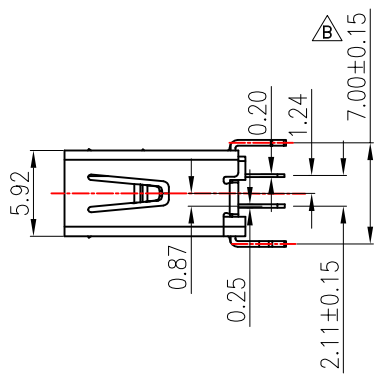
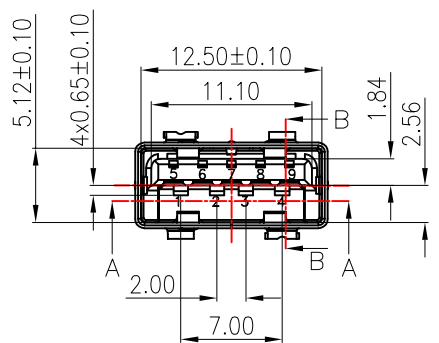
RECOMMENDED PCB LAYOUT

NOTES:

- 1.ELECTRONIC:
CONTACT RESISTANCE: 30mohm MAX
INSULATION RESISTANCE: 1000 Mohm MIN
WITHSTAND VOLTAGE: AC 500V,1min.
- 2.MECHANICAL:
DURABILITY: 5000 CYCLE.
- 3.ENVIRONMENT CHARACTERISTICS:
OPERTING TEMPERATURE: -25°C TO +85°C

MATERIAL LIST:

No.	PART NAME	QTY	MATERIAL	REMARK
5	SHELL	1	STAINLESS STEEL	NI PLATED
4	5PIN	5	C2680 T0.20	AU 30U/TIN PLATED
3	4PIN	4	C5191 T0.25	AU 30U/TIN PLATED
2	5P-MD	1	LCP BLACK	(UL 94V-0)
1	4P-MD	1	LCP BLACK	(UL 94V-0)



GENERAL TOLERANCES (UNLESS SPECIFIED)			DRAWN BY RuoBiaoLing DATE 2020/06/10		TEL: +86 0755 27801940 Mob: +86 15889397634 www.techedom.com
ITEM	MM	INCH	CHECKED BY /	DATE /	
3 PLACE	±0.15	±0.005	APPROVED BY Fred.Tong DATE 2020/06/10		TITLE: USB3.0 AF 180度 DIP H12.50 黑色胶芯 不锈钢壳 无卷边
2 PLACE	±0.25	±0.01	ANGLE OF PROJECTION		
1 PLACE	±0.35	±0.015	SIZE A4		PART NO. EU09FB3N62282H
0 PLACE	±0.50	±0.02	SCALE		N/A SHEEL 1 OF 1
ANGULAR ± 3° METRIC U.S. MM INCHES					
THIS DRAWING CONTAINS INFORMATION THAT IS PROPRIETARY TO EDOM INCORPORATED AND SHOULD NOT BE USE WITHOUT WRITTEN PERMISSION					REV. B

1 2 3 4 5