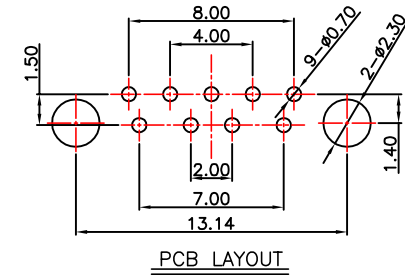
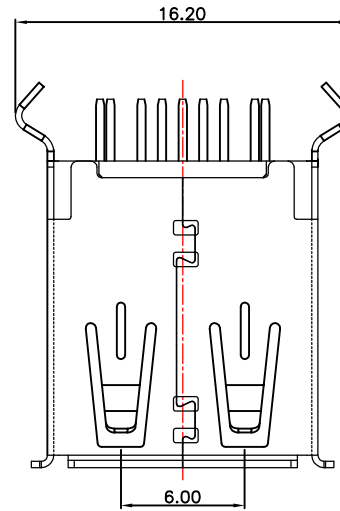
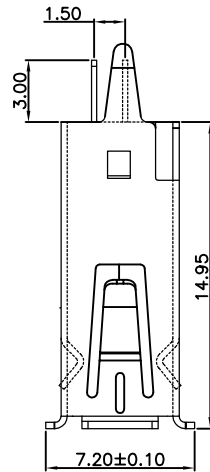
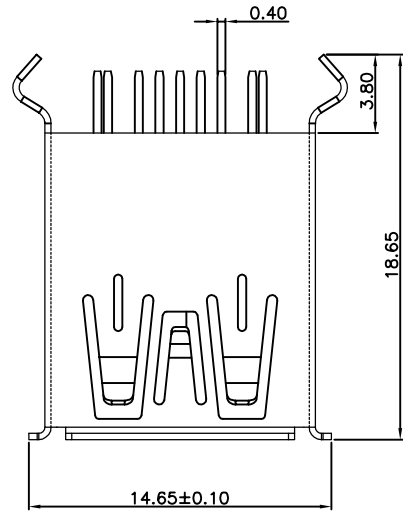


RoHS Compliant

REV.	DESCRIPTION	SIGN	DATE
A	NEW	Fred.Tong	17/06/20



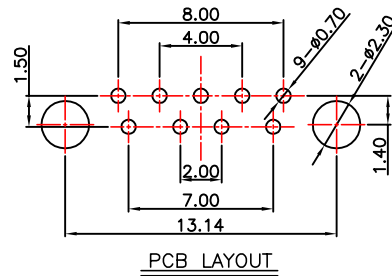
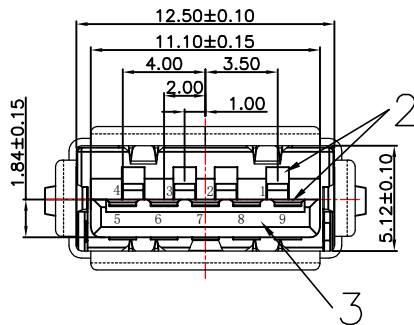
RECOMMENDED PCB LAYOUT

NOTES:

- 1.ELECTRONIC:**  
 CONTACT CURRENT RATING:1.5A  
 CONTACT RESISTANCE: 30mohm MAX  
 INSULATION RESISTANCE: 1000 Mohm MIN  
 WITHSTAND VOLTAGE:AC 500V,1min.
- 2.MECHANICAL:**  
 MATING FORCE:3.50KG MAX  
 UNMATED FORCE:0.8KG MIN.
- 3.ENVIRONMENT CHARACTERISTICS:**  
 OPERTING TEMPERATURE:-55°C TO +105°C

4.MATERIAL LIST:

No.	PART NAME	QTY	MATERIAL	REMARK
3	SHELL	1	COPPER ALLOY	NI PLATED
2	CONTACT	9	COPPER ALLOY	AU /TIN PLATED
1	HOUSING	1	THERMOPLASTIC(PBT)	(UL 94V-0) BLUE



GENERAL TOLERANCES (UNLESS SPECIFIED)			DRAWN BY	DATE
3 PLACE	±0.15	±0.005	Alen.Yu	19/01/01
2 PLACE	±0.25	±0.01	Checked BY	DATE
1 PLACE	±0.35	±0.015	Liang.Li	19/01/06
0 PLACE	±0.50	±0.02	APPROVED BY	DATE
			Fred.Tong	19/01/06
ANGULAR ± 3°			ANGLE OF PROJECTION	
METRIC	U.S.			
MM	INCHES			

**EDOM ELECTRONICS** TEL: +86 0755 27801940  
 Mob: +86 15889397634  
 www.techedom.com

**TITLE:**  
 USB 3.0 AF 180度 DIP 带加强筋  
 蓝胶芯 H=15.0mm

SIZE	PART NO.	
A4	EU09FL1N1206	
SCALE	N/A	SHEEL 1 OF 1

THIS DRAWING CONTAINS INFORMATION THAT IS PROPRIETARY TO EDOM INCORPORATED AND SHOULD NOT BE USE WITHOUT WRITTEN PERMISSION

REV. A