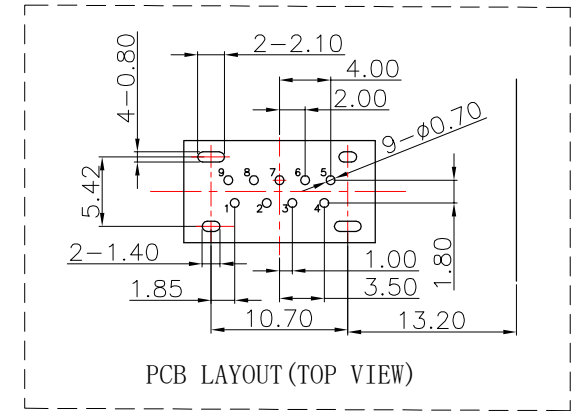
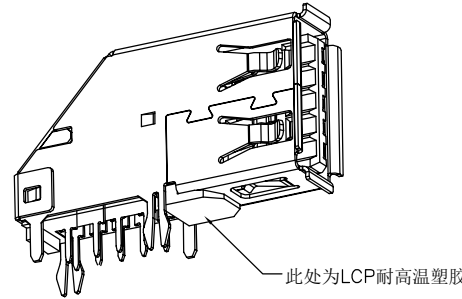
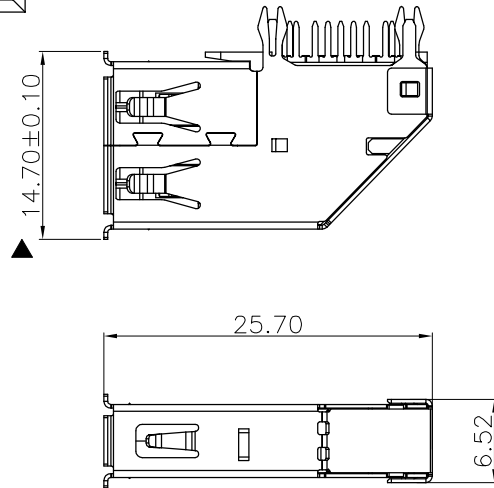


RoHS Compliant

REV.	DESCRIPTION	SIGN	DATE
A	NEW	Fred.Tong	17/06/20



NOTES:

1.ELECTRONIC:

CONTACT CURRENT RATING:1.5A
 CONTACT RESISTANCE: 30mohm MAX
 INSULATION RESISTANCE: 1000 Mohm MIN
 WITHSTAND VOLTAGE:AC 500V,1min.

2.MECHANICAL:

MATING FORCE:3.57KG MAX
 UNMATED FORCE:1.02KG MIN

3.ENVIRONMENT CHARACTERISTICS:

OPERTING TEMPERATURE:-55°C TO +105°C

4.标示"▲"符号的尺寸为重点检验尺寸。

5.MATERIAL LIST:

No.	PART NAME	QTY	MATERIAL	REMARK
3	SHELL	1	SPCC/BRASS	NI PLATED
2	CONTACT	9	COPPER ALLOY	AU /TIN PLATED
1	HOUSING	1	THERMOPLASTIC(LCP)	(UL 94V-0) BLUE/BLACK

GENERAL TOLERANCES (UNLESS SPECIFIED)			DRAWN BY	DATE
ITEM	MM	INCH	Alen.Yu	17/06/20
3 PLACE	±0.15	±0.005	CHECKED BY	DATE
2 PLACE	±0.25	±0.01	Fred.Tong	17/06/20
1 PLACE	±0.35	±0.015	APPROVED BY	DATE
0 PLACE	±0.50	±0.02		

EDOM ELECTRONICS TEL: +86 0755 27801940
 Mob: +86 15889397634
 www.techedom.com

TITLE:
 USB3.0 AF 90度侧插 DIP有卷边
 带鱼叉 外壳镀雾镍

ANGULAR ± 3°		ANGLE OF PROJECTION	SIZE	PART NO.
METRIC	U.S.		A4	EU09FB3N1227
MM	INCHES		SCALE	N/A
				SHEEL 1 OF 1

THIS DRAWING CONTAINS INFORMATION THAT IS PROPRIETARY TO EDOM INCORPORATED AND SHOULD NOT BE USE WITHOUT WRITTEN PERMISSION

REV. A

