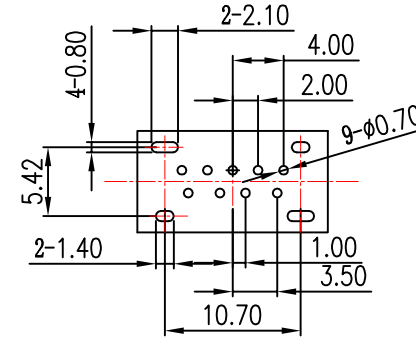
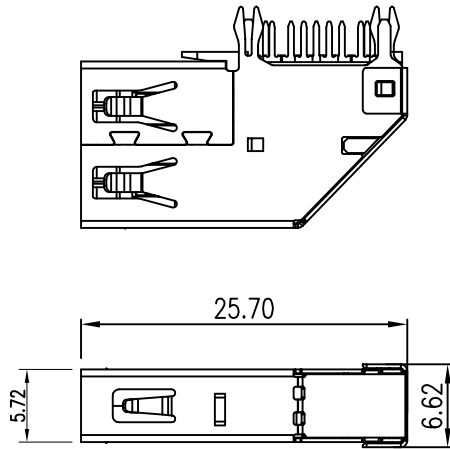


RoHS Compliant

REV.	DESCRIPTION	SIGN	DATE
A	NEW	RuoBiaoLing	2021/03/20


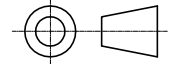


RECOMMENDED PCB LAYOUT

NOTES:

- 1.ELECTRONIC:**
CONTACT RESISTANCE: 30mohm MAX
INSULATION RESISTANCE: 1000 Mohm MIN
WITHSTAND VOLTAGE:AC 500V,1min.
- 2.MECHANICAL:**
DURABILITY: 5000 CYCLE.
- 3.ENVIRONMENT CHARACTERISTICS:**
OPERING TEMPERATURE:-25°C TO +85°C
- 4.MATERIAL LIST:**

3	SHELL	1	STAINLESS	NI PLATED
2	CONTACT	9	COPPER ALLOY	AU/TIN PLATED
1	HOUSING	1	LCP BLUE	(UL 94V-0)
No.	PART NAME	QTY	MATERIAL	REMARK

GENERAL TOLERANCES (UNLESS SPECIFIED)			DRAWN BY RuoBiaoLing		DATE 2021/03/20		 TEL: +86 0755 27801940 Mob: +86 15889397634 www.techedom.com		
ITEM	MM	INCH	CHECKED BY		DATE				
3 PLACE	±0.05	±0.005	/						
2 PLACE	±0.10	±0.01	APPROVED BY		DATE				
1 PLACE	±0.20	±0.015						TITLE: USB 3.0 AF 侧插 蓝胶 端子脚长 2.40 鱼叉脚 无卷边 无 LOGO	
0 PLACE	±0.30	±0.02							
ANGULAR ± 2°			ANGLE OF PROJECTION		SIZE A4		PART NO. EU09F2L3N12336ST		
METRIC		U.S.				SCALE		SHEEL 1 OF 1	
MM		INGHES				N/A			

THIS DRAWING CONTAINS INFORMATION THAT IS PROPRIETARY TO EDOM INCORPORATED AND SHOULD NOT BE USE WITHOUT WRITTEN PERMISSION

REV. A

