

RoHS Compliant

REV.	DESCRIPTION	SIGN	DATE
A	NEW	QinYu	19/06/15

NOTES:

1.ELECTRONIC:

CONTACT RESISTANCE: 30mohm MAX
 INSULATION RESISTANCE: 1000 Mohm MIN
 WITHSTAND VOLTAGE:AC 500V,1min.

2.MECHANICAL:

DURABILITY: 1500 CYCLE.

3.ENVIRONMENT CHARACTERISTICS:

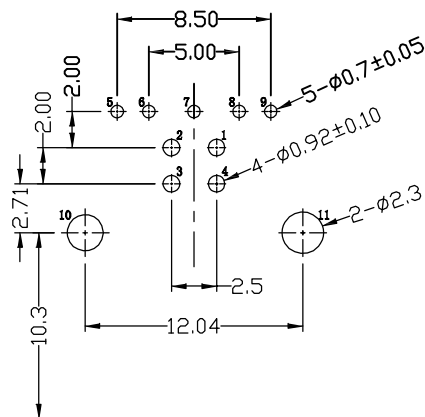
OPERATING TEMPERATURE:-55°C TO +105°C

4.RECOMMANDER PCB THICKNESS 1.2 TO 1.60MM

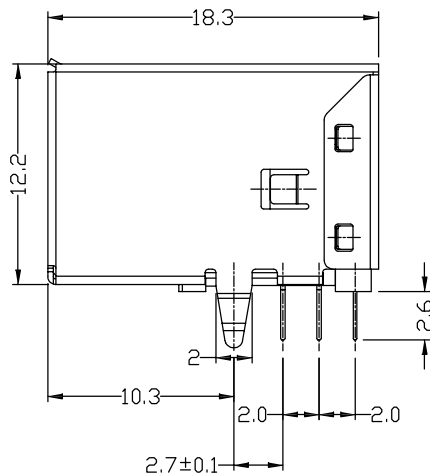
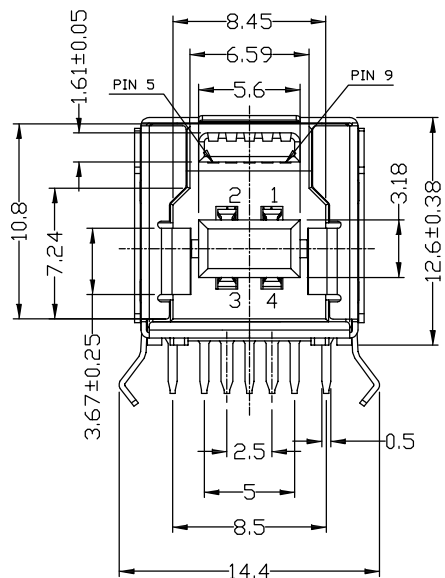
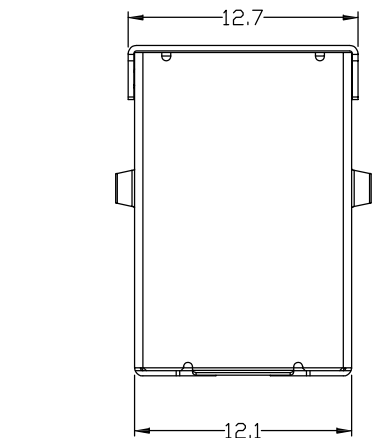
5.PART NO: EU 09 F L 1 N 5 2 00

09 9PIN
F: FEMALE
M: MALE
HOUSNIG COLORE
L: BLUE
B: BLACK
SHELL MATERIAL
1: CU
2: SHEEL

00 RUNNING NO
00 SOLDER TYPE
1: SMT TYPE
2: DIP TYPE
00 CONTACT PLATED
1: GOLD FLASH
2: 1U
5: 15U
00 SHELL PLATED
A: AU
N: NI




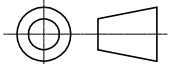
**RECOMMENDED PCB LAYOUT
PCB TOP VIEW**



MATERIAL LIST:

THERMOPLASTIC (LCP无卤)

No.	PART NAME	QTY	MATERIAL	REMARK
6	SHELL COVER	1	COPPER ALLOY	NI PLATED
5	SHELL	1	COPPER ALLOY	NI PLATED
4	5PIN	5	COPPER ALLOY	AU/TIN PLATED
3	4PIN	4	PHOSPHOR BRONZE	AU/TIN PLATED
2	COVER	1	THERMOPLASTIC (LCP无卤)	(UL94V-0) BLUE(300C)
1	HOUSING	1	THERMOPLASTIC (LCP无卤)	(UL94V-0) BLUE(300C)

GENERAL TOLERANCES (UNLESS SPECIFIED)			DRAWN BY	DATE	 TEL: +86 0755 27801940 Mob: +86 15889397634 www.techedom.com
ITEM	MM	INCH	QinYu	19/06/15	
3 PLACE	±0.15	±0.005	CHECKED BY	DATE	
2 PLACE	±0.25	±0.01	Roger	19/06/15	
1 PLACE	±0.35	±0.015	APPROVED BY	DATE	
0 PLACE	±0.50	±0.02	Fred.Tong	19/06/15	
ANGULAR ± 2°			ANGLE OF PROJECTION		TITLE: USB3.0 B/T FEMALE 90度 DIP 带弯脚 蓝胶芯LCP无卤
METRIC	U.S.				
MM	INCHES		SIZE	PART NO.	A4 EU09FL1N1201HW
			SCALE	N/A	

THIS DRAWING CONTAINS INFORMATION THAT IS PROPRIETARY TO EDOM INCORPORATED AND SHOULD NOT BE USE WITHOUT WRITTEN PERMISSION

REV. A