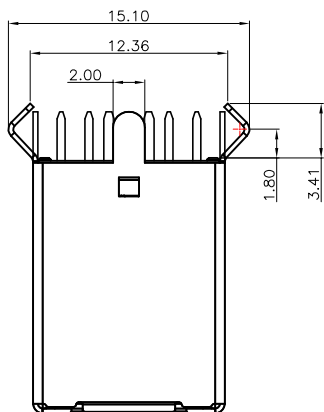
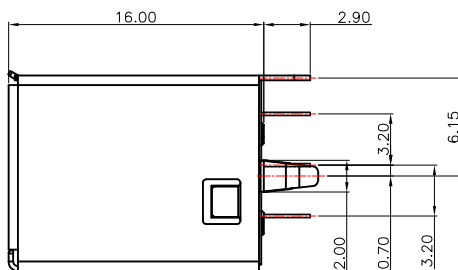
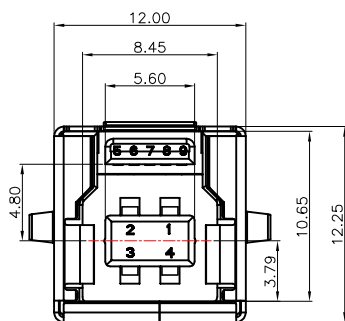
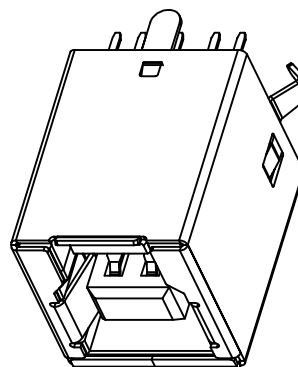


RoHS Compliant

REV.	DESCRIPTION	SIGN	DATE
A	NEW	QinYu	20/07/01



Pin NUMBER	SIGNAL NAME
1	VBUS
2	D-
3	D+
4	GND
5	StdB_SSTX-
6	StdB_SSTX+
7	GND_DRAIN
8	StdB_SSRX-
9	StdB_SSRX+
Shell	Shield

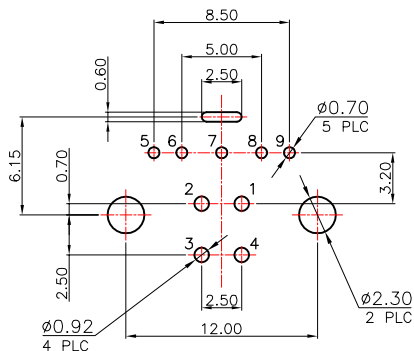
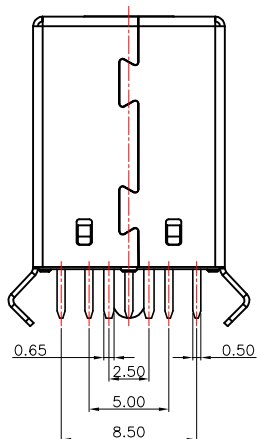


NOTES:


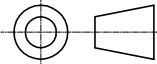
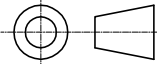
- ELECTRONIC:**
CONTACT RESISTANCE: 30mohm MAX
INSULATION RESISTANCE: 1000 Mohm MIN
WITHSTAND VOLTAGE: AC 500V, 1min.
- MECHANICAL:**
DURABILITY: 1500 CYCLE.
- ENVIRONMENT CHARACTERISTICS:**
OPERATING TEMPERATURE: -55°C TO +105°C
- RECOMMANDER PCB THICKNESS 1.2 TO 1.60MM**

MATERIAL LIST:

No.	PART NAME	QTY	MATERIAL	REMARK
4	SHELL	1	COPPER ALLOY	NI PLATED
3	5PIN	5	COPPER ALLOY	G/F AU/TIN PLATED
2	4PIN	4	COPPER ALLOY	G/F AU/TIN PLATED
1	HOUSING	1	(LCP无卤)THERMOPLASTIC	(UL 94V-0) BLUE



RECOMMEND P.C.B LAYOUT COMPONENT SIDE
DEFAUET TOLERANCES: ±0.05 (PCB T=1.6mm)

GENERAL TOLERANCES (UNLESS SPECIFIED)		DRAWN BY	DATE	 TEL: +86 0755 27801940 Mob: +86 15889397634 www.techedom.com
3 PLACE	±0.15 ±0.005	QinYu	20/07/01	
2 PLACE	±0.25 ±0.01	CHECKED BY	DATE	
1 PLACE	±0.35 ±0.015	Roger	20/07/01	
0 PLACE	±0.50 ±0.02	APPROVED BY	DATE	
		Fred.Tong	20/07/01	
ANGULAR ± 2°		ANGLE OF PROJECTION		TITLE:
METRIC				USB3.0 B/T FEMALE 180度 DIP 带弯脚 LCP无卤
MM				SIZE A4
				PART NO. EU09F2L1N1253H
				SCALE N/A
				SHEEL 1 OF 1

THIS DRAWING CONTAINS INFORMATION THAT IS PROPRIETARY TO EDOM INCORPORATED AND SHOULD NOT BE USE WITHOUT WRITTEN PERMISSION

REV. A