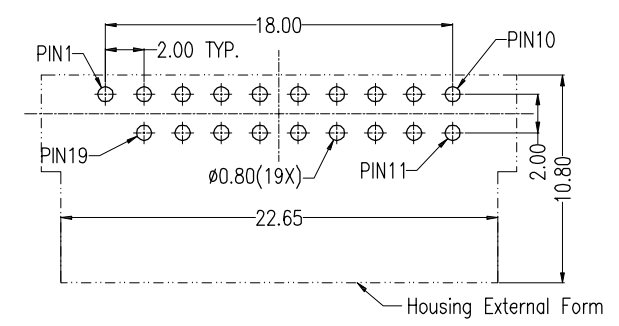
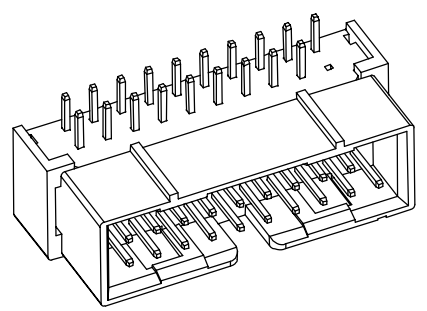
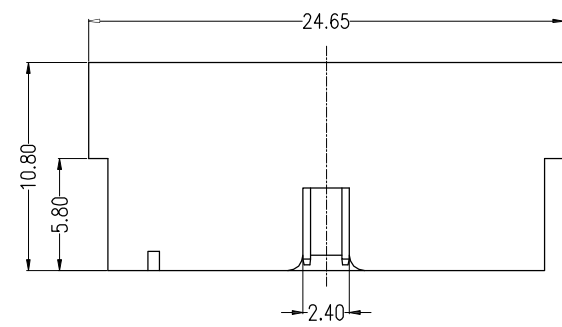


RoHS Compliant

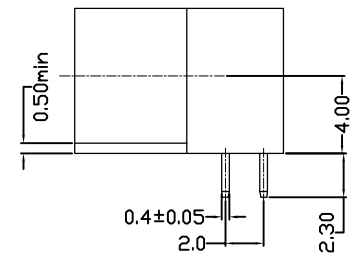
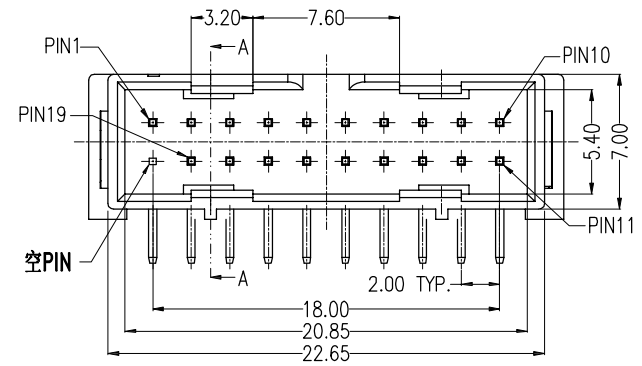
REV.	DESCRIPTION	SIGN	DATE
A	NEW	Fred.Tong	16/06/18

A



RECOMMENDED PCB LAYOUT

B




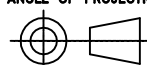
NOTES:

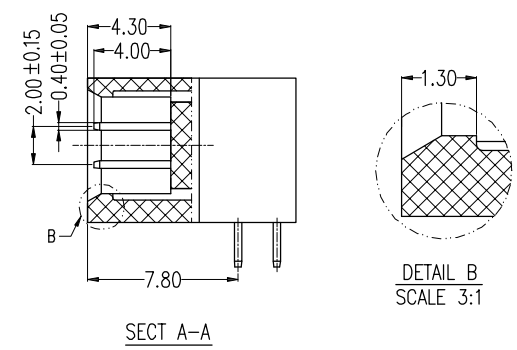
- ELECTRONIC:**
CONTACT RESISTANCE: 20mohm MAX
INSULATION RESISTANCE: 1000 Mohm MIN
WITHSTAND VOLTAGE: AC 500V, 1min.
- MECHANICAL:**
DURABILITY: 3000 CYCLE.
- ENVIRONMENT CHARACTERISTICS:**
OPERATING TEMPERATURE: -55°C TO +105°C
- RECOMMENDER PCB THICKNESS 1.2 TO 1.60MM**

C

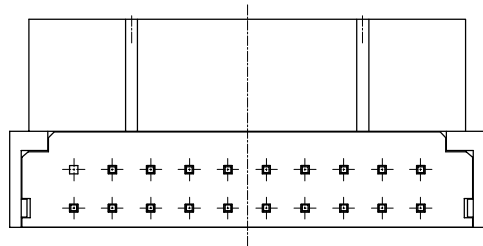
5.MATERIAL LIST:

2	PIN	20	COPPER ALLOY	AU/TIN PLATED
1	HOUSING	1	PA66 BLACK/BLUE	(UL 94V-0)

No.	PART NAME	QTY	MATERIAL	REMARK
GENERAL TOLERANCES (UNLESS SPECIFIED)		DRAWN BY	DATE	 TEL: +86 0755 27801940 Mob: +86 15889397634 www.techedom.com
3 PLACE	±0.15 ±0.005	Alen.Yu	16/06/18	
2 PLACE	±0.25 ±0.01	Checked BY	DATE	
1 PLACE	±0.35 ±0.015	Liang.Li	16/06/18	
0 PLACE	±0.50 ±0.02	APPROVED BY	DATE	TITLE:
				USB3.0 2*10PIN 公头 90度 DIP 黑色
ANGULAR ± 3°		ANGLE OF PROJECTION		SIZE
METRIC	U.S.			A4
MM	INCHES			PART NO.
				EU20MB4M1200
			SCALE	N/A
				SHEET 1 OF 1



D



THIS DRAWING CONTAINS INFORMATION THAT IS PROPRIETARY TO EDOM INCORPORATED AND SHOULD NOT BE USE WITHOUT WRITTEN PERMISSION

REV. A

1

2

3

4

5