

RoHS Compliant

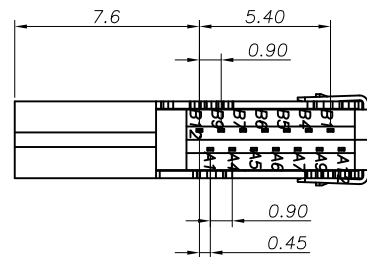
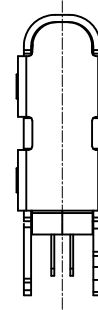
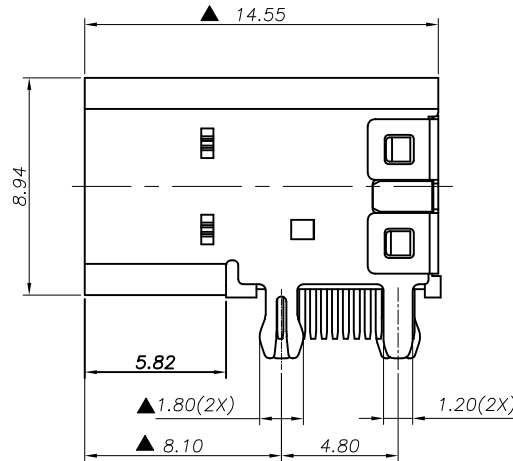
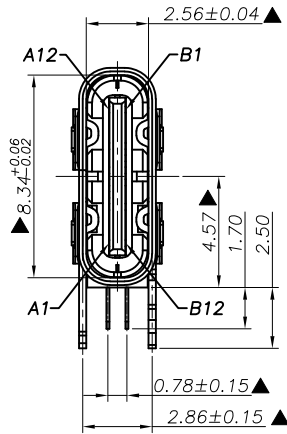
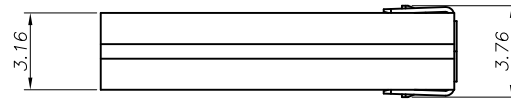
REV.	DESCRIPTION	SIGN	DATE
A	NEW	Fred.Tong	17/06/15

A

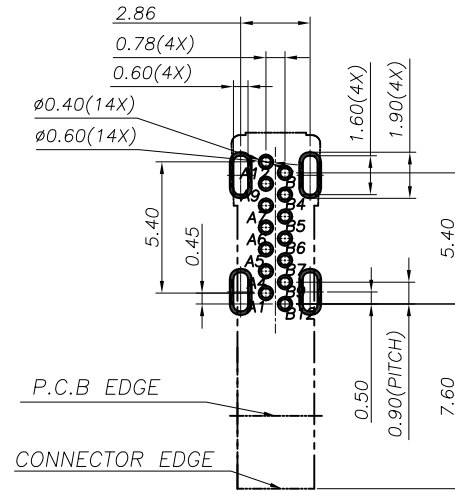
B

C

D



A1	GND	B12	GND
A4	VBUS	B9	VBUS
A5	CC1	B7	DN2
A6	DP1	B6	DP2
A7	DN1	B5	CC2
A9	VBUS	B4	VBUS
A12	GND	B1	GND
PIN	SIGNAL NAME	PIN	SIGNAL NAME



RECOMMENDED PCB LAYOUT(TOP VIEW)

- ELECTRICAL:**
CURRENT: 5A MIN FOR VBUS;
0.25A MIN FOR OTHER.
VOLTAGE: 5VAC MAX
WITHSTANDING VOLTAGE: 100V AC.
CONTACT RESISTANCE: 40mΩ MAX.
INSULATION RESISTANCE: 100MΩ MIN.
- MECHANICAL:**
INSERTION: 5~20N.
EXTRACTION: 8~20N.
DURABILITY: 10000 CYCLES
- ENVIRONMENTAL**
TEMPERATURE RANGE -55°C ~ +85°C

4.MATERIAL LIST:

No.	PART NAME	QTY	MATERIAL	REMARK
4	MID PLATE	1	STAINLESS STEEL	NI PLATED
3	SHELL	1	STAINLESS STEEL	NI PLATED
2	CONTACT	24	COPPER ALLOY	GOLD PLATED
1	HOUSING	1	THERMOPLASTIC(LCP)	(UL 94V-0)

GENERAL TOLERANCES (UNLESS SPECIFIED)			DRAWN BY	DATE
3 PLACE	±0.15	±0.005	Alen.Yu	17/06/15
2 PLACE	±0.25	±0.01	Checked by	DATE
1 PLACE	±0.35	±0.015	Liang.Li	17/06/15
0 PLACE	±0.50	±0.02	APPROVED BY	DATE
			Fred.Tong	17/06/15

EDOM ELECTRONICS TEL: +86 0755 27801940
Mob: +86 15889397634
www.techedom.com

TITLE:
USB3.1 C TYPE FEMALE 14P
侧插式DIP

ANGULAR ± 3°		SIZE	PART NO.	
METRIC	U.S.	A4	EU14FB3M1264	
MM	INCHES	SCALE	N/A	SHEET 1 OF 1

THIS DRAWING CONTAINS INFORMATION THAT IS PROPRIETARY TO EDOM INCORPORATED AND SHOULD NOT BE USE WITHOUT WRITTEN PERMISSION

REV. A

1

2

3

4

5