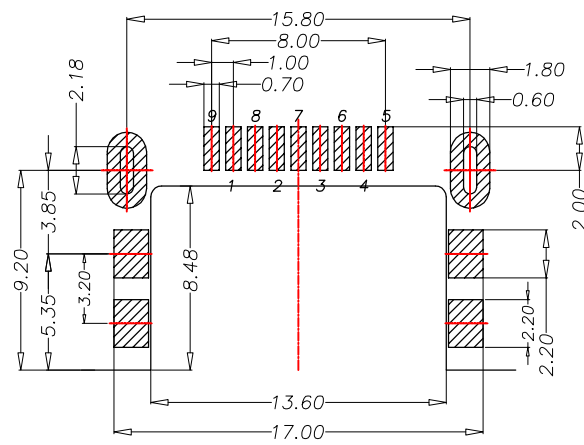
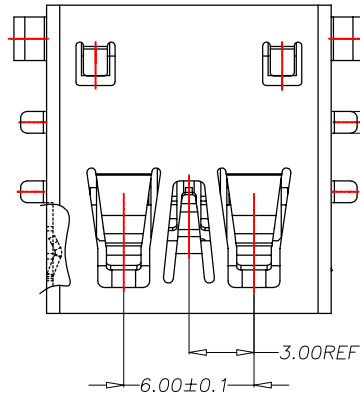


**RoHS Compliant**

REV.	DESCRIPTION	SIGN	DATE
A	NEW	RuoBiaoLing	2020/12/10



**NOTES:**

**1.ELECTRONIC:**

CONTACT CURRENT RATING: 1.5A  
 CONTACT RESISTANCE: 30mohm MAX  
 INSULATION RESISTANCE: 1000 Mohm MIN  
 WITHSTAND VOLTAGE: AC 500V,1min.

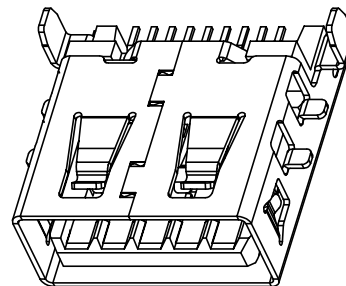
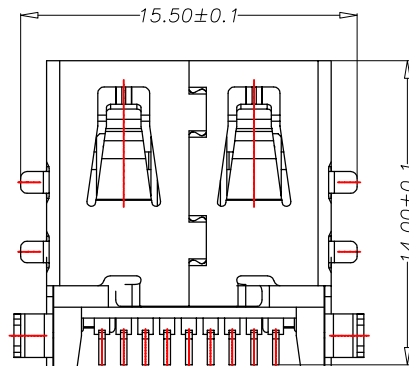
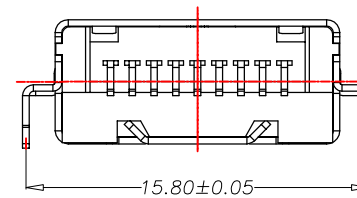
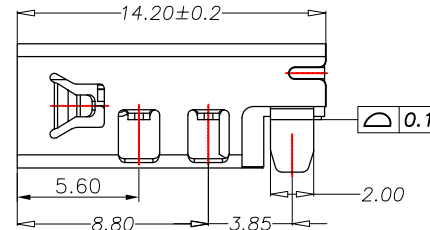
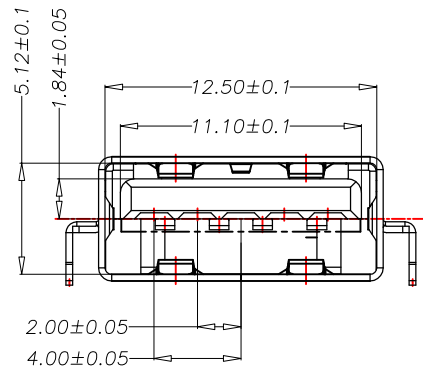
**2.MECHANICAL:**

MATING FORCE: 3.50KG MAX  
 UNMATED FORCE: 0.8KG MIN.

**3.ENVIRONMENT CHARACTERISTICS:**

OPERTING TEMPERATURE: -55°C TO +105°C

RECOMMENDED PCB LAYOUT



**MATERIAL LIST:**

No.	PART NAME	QTY	MATERIAL	REMARK
3	SHELL	1	COPPER ALLOY	NI PLATED
2	CONTACT	9	COPPER ALLOY	AU /TIN PLATED
1	HOUSING	1	THERMOPLASTIC(LCP)	(UL 94V-0) BLUE

GENERAL TOLERANCES (UNLESS SPECIFIED)		DRAWN BY RuoBiaoLing		DATE 2020/12/10	
ITEM	MM	INCH	CHECKED BY	DATE	
3 PLACE	±0.15	±0.005	/		
2 PLACE	±0.25	±0.01	APPROVED BY	DATE	
1 PLACE	±0.35	±0.015			
0 PLACE	±0.50	±0.02			
ANGULAR ± 3°		ANGLE OF PROJECTION			
METRIC	U.S.				
MM	INCHES				

**EDOM ELECTRONICS** TEL: +86 0755 27801940  
 Mob: +86 15889397634  
 www.techedom.com

**TITLE:**  
 USB 3.0 AF R&A 沉板H=3.5 SMT  
 外壳6支脚 直脚 无卷边 (带扣点)

SIZE A4	PART NO. EU09FL1N11289	
SCALE	N/A	SHEEL 1 OF 1

THIS DRAWING CONTAINS INFORMATION THAT IS PROPRIETARY TO EDOM INCORPORATED AND SHOULD NOT BE USE WITHOUT WRITTEN PERMISSION

REV.  
A