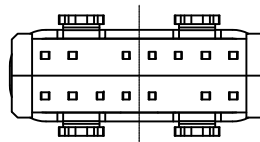
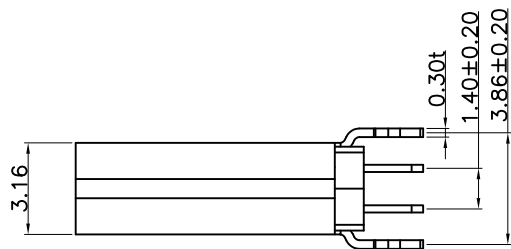
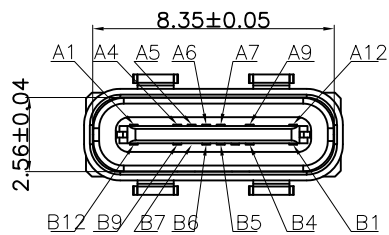
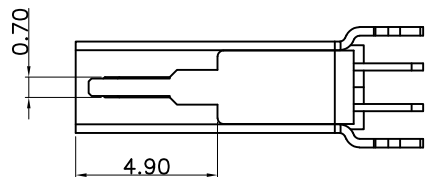
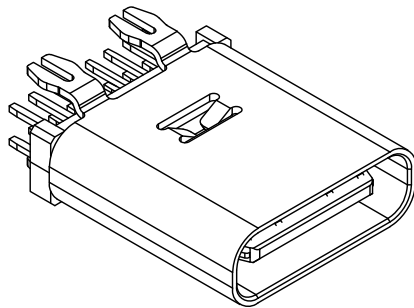
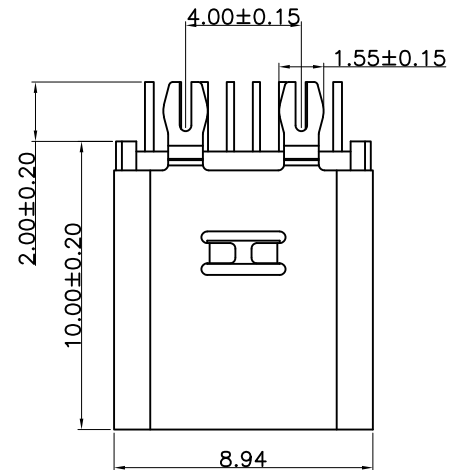


RoHS Compliant

REV.	DESCRIPTION	SIGN	DATE
A	NEW	RuoBiaoLing	2020/04/13



NOTES:

1.ELECTRONIC:

CONTACT CURRENT RATING: 5.0A
 ATED VOLTAGE: 5V AC
 CONTACT RESISTANCE: 40mohm Max
 INSULATION RESISTANCE: 100 Megohms Min
 WITHSTAND VOLTAGE: AC 500V,1Min.

2.MECHANICAL:

MATING FORCE: 2.04KG Max
 UNMATED FORCE: 0.82KG Min
 DURABILITY: 10000 CYCLES

3.ENVIRONMENT CHARACTERISTICS:

OPERTING TEMPERATURE: -20°C TO +85°C

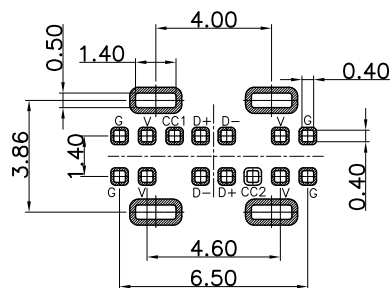
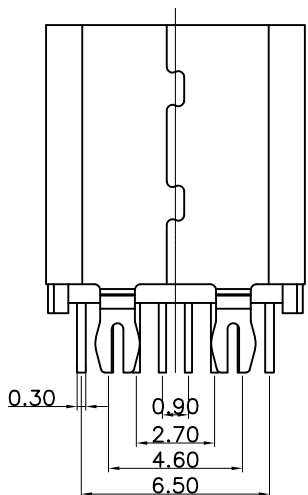
4.料号说明: EU14F2B X N12374ST

2=铁壳
 3=不锈钢

PIN	SIGNAL NAME	PIN	SIGNAL NAME
A1	GND	B12	GND
A4	VBUS	B9	VBUS
A5	CC1	B8	
A6	DP1	B7	DN2
A7	DN1	B6	DP2
A8		B5	CC2
A9	VBUS	B4	VBUS
A12	GND	B1	GND

MATERIAL LIST:

No.	PART NAME	QTY	MATERIAL	REMARK
3	SHELL	1	SUS304/SPCC	NICKEL PLATED
2	TERMINAL	14	C2680/C7025	AU/TIN PLATED
1	HOUSING	1	LCP	(UL94V-0) BLACK



RECOMMENDED P.C.B. LAYOUT
 TOLERANCE UNSPECIFIED ±0.05mm

ITEM	MM	INCH	CHECKED BY	DATE
3 PLACE	±0.15	±0.005		
2 PLACE	±0.25	±0.01		
1 PLACE	±0.35	±0.015		
0 PLACE	±0.50	±0.02		

GENERAL TOLERANCES (UNLESS SPECIFIED)		DRAWN BY	DATE
		RuoBiaoLing	2020/04/13
		CHECKED BY	DATE
		APPROVED BY	DATE
		Fred.Tong	2020/04/13
ANGULAR ± 3°		ANGLE OF PROJECTION	
METRIC	U.S.		
MM	INCHES		

		TEL: +86 0755 27801940
		Mob: +86 15889397634
		www.techedom.com
TITLE: Type C 14P 母座 立式 插件 H=10.0		
SIZE A4	PART NO. EU14F2BXN12374ST	
SCALE	N/A	SHEEL 1 OF 1

THIS DRAWING CONTAINS INFORMATION THAT IS PROPRIETARY TO EDOM INCORPORATED AND SHOULD NOT BE USE WITHOUT WRITTEN PERMISSION

REV. A