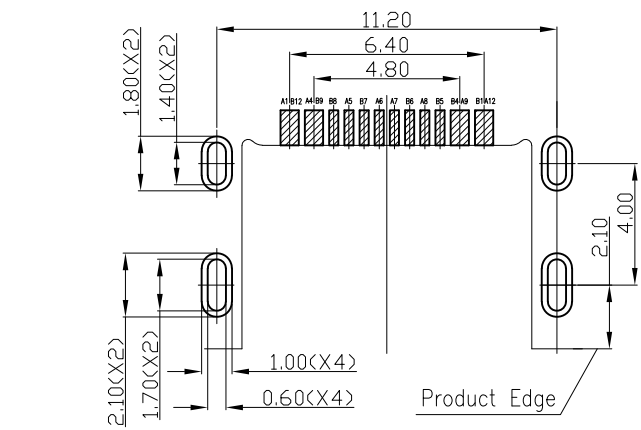
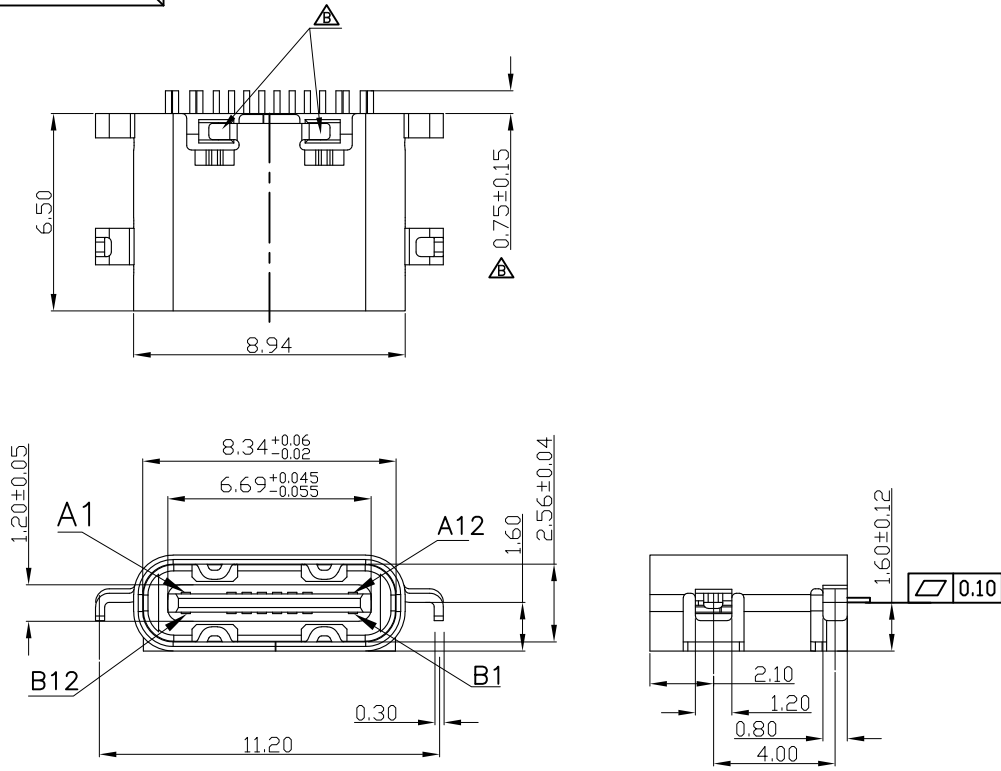



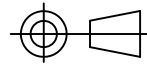
RoHS Compliant

REV.	DESCRIPTION	SIGN	DATE
A	NEW	Fred.Tong	17/06/15
B	加长焊脚以及变更外壳铆点	Fred.Tong	19/06/20



- ELECTRICAL: 5A FOR VBUS, 0.25A FOR OTHER PIN.
VOLTAGE: 5V AC MAX
WITHSTANDING VOLTAGE: 100V AC.
CONTACT RESISTANCE: 40mΩ MAX.
INSULATION RESISTANCE: 100MΩ MIN.
- MECHANICAL:
INSERTION: 5~20N.
EXTRACTION: 8~20N.
DURABILITY: 10000 CYCLES
- ENVIRONMENTAL
TEMPERATURE RANGE -25°C ~ +85°C
- MATERIAL LIST:

No.	PART NAME	QTY	MATERIAL	REMARK
4	MID PLATE	1	STAINLESS STEEL	NI PLATED
3	SHELL	1	STAINLESS STEEL	NI PLATED
2	CONTACT	24	COPPER ALLOY	AU/TIN PLATED
1	HOUSING	1	THERMOPLASTIC(LCP)	(UL 94V-0)

GENERAL TOLERANCES (UNLESS SPECIFIED)			DRAWN BY Alen.Yu	DATE 19/06/20	 TEL: +86 0755 27801940 Mob: +86 15889397634 www.techedom.com
ITEM	MM	INCH	CHECKED BY Liang.Li	DATE 19/06/20	
3 PLACE	±0.15	±0.005	APPROVED BY Fred.Tong	DATE 19/06/20	TITLE: USB C F TYPE 单排SMT 沉板1.6 CONN
2 PLACE	±0.25	±0.01			SIZE A4
1 PLACE	±0.35	±0.015			PART NO. EU16FB1N1369
0 PLACE	±0.50	±0.02			SCALE N/A
			ANGLE OF PROJECTION		SHEET 1 OF 1
					
THIS DRAWING CONTAINS INFORMATION THAT IS PROPRIETARY TO EDOM INCORPORATED AND SHOULD NOT BE USE WITHOUT WRITTEN PERMISSION					REV. B