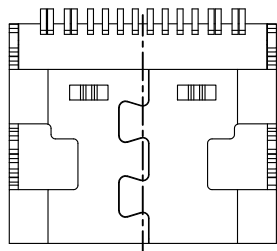
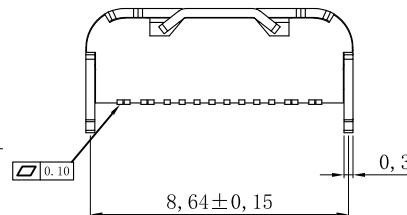
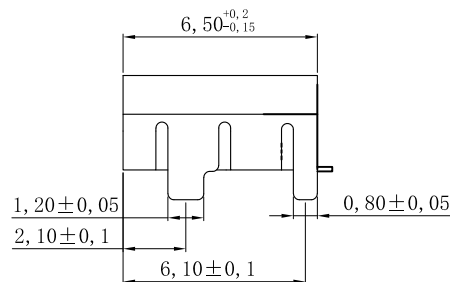
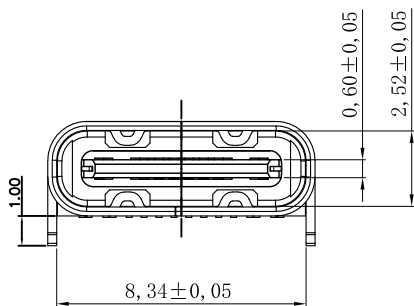


RoHS Compliant

REV.	DESCRIPTION	SIGN	DATE
A	NEW	RuoBiaoLing	2021/03/23



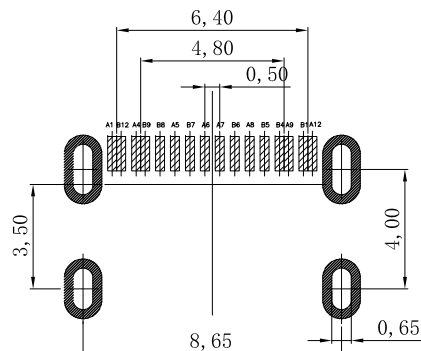
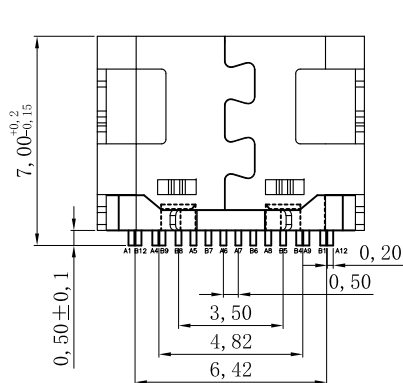
A1	GND	B12	GND
A4	VBUS	B9	VBUS
A5	CC1	B8	SBU2
A6	DP1	B7	DN2
A7	DN1	B6	DP2
A8	SBU1	B5	CC2
A9	VBUS	B4	VBUS
A12	GND	B1	GND
PIN	SIGNAL NAME	PIN	SIGNAL NAME


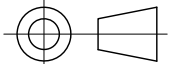


- ELECTRICAL: 0.25A FOR VBUS, 0.25A FOR OTHER PIN.
VOLTAGE: 5V AC MAX
WITHSTANDING VOLTAGE: 100V AC.
CONTACT RESISTANCE: 40mΩ MAX.
INSULATION RESISTANCE: 100MΩ MIN.
- MECHANICAL:
INSERTION: 5°~20N.
EXTRACTION: 8°~20N.
DURABILITY: 10000 CYCLES
- ENVIRONMENTAL
TEMPERATURE RANGE -40° C ~ +85° C

4.MATERIAL LIST:

No.	PART NAME	QTY	MATERIAL	REMARK
4	MID PLATE	1	STAINLESS STEEL	NI PLATED
3	SHELL	1	STAINLESS STEEL	NI PLATED
2	CONTACT	16	COPPER ALLOY	AU/TIN PLATED
1	HOUSING	1	THERMOPLASTIC(LCP)	(UL 94V-0)BLACK



GENERAL TOLERANCES (UNLESS SPECIFIED)		DRAWN BY	DATE	 TEL: +86 0755 27801940 Mob: +86 15889397634 www.techedom.com
ITEM	MM	INCH	CHECKED BY	
3 PLACE	±0.05	±0.005	/	
2 PLACE	±0.10	±0.01		
1 PLACE	±0.20	±0.015		
0 PLACE	±0.30	±0.02		
ANGULAR ± 2°		APPROVED BY		DATE
METRIC	U.S.	ANGLE OF PROJECTION		SIZE
MM	INCHES			A4
TITLE:				PART NO.
USB 3.1 TYPE C 16p 母座 板上6.5 脚长1.0				EU16F2B3N11377SR
SCALE		N/A	SHEET 1 OF 1	

THIS DRAWING CONTAINS INFORMATION THAT IS PROPRIETARY TO EDOM INCORPORATED AND SHOULD NOT BE USE WITHOUT WRITTEN PERMISSION

REV. A