

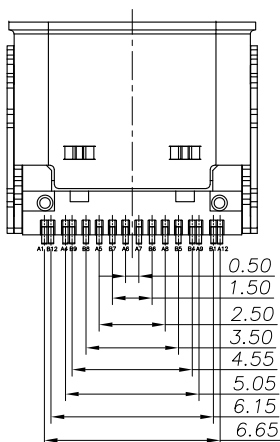
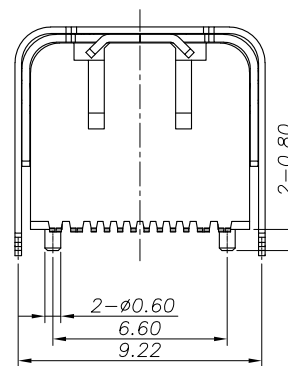
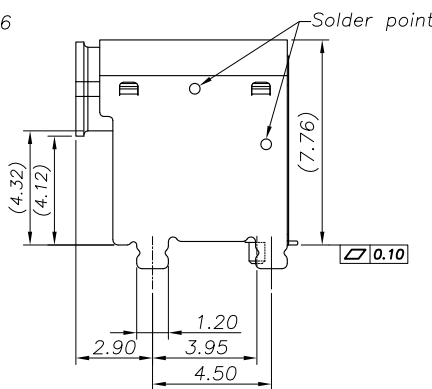
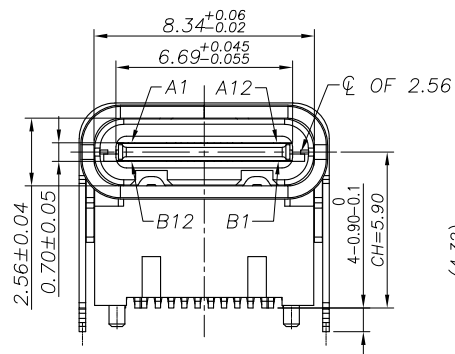
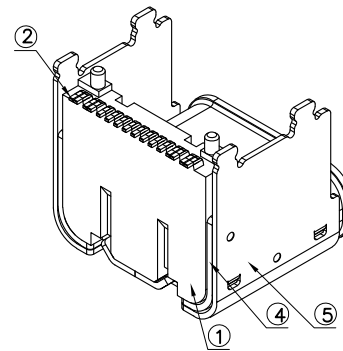
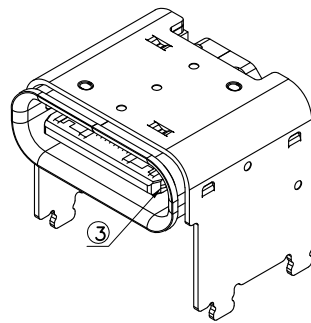
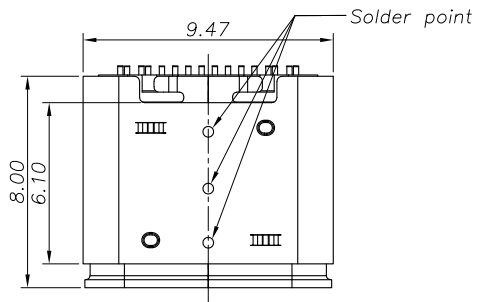
RoHS Compliant


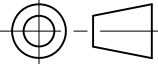
REV.	DESCRIPTION	SIGN	DATE
A	NEW	QinYu	2021.08.20

NOTE:
MECHANICAL PERFORMANCE,
 1.INSERTION FORCE: 0.5~2.0kgf.
 2.REMOVAL FORCE: 0.8kgf~2.0kgf.
 3.DURABILITY: 10000 CYCLES.
ELECTRICAL PERFORMANCE,
 1. CURRENT RATING:5A
 VOLTAGE RATING:20V
 2.INSULATION RESISTANCE: 100MΩ MIN
 3.DIELECTRIC WITHSTAND VOLTAGE AC 100V FOR 1 MINUTE.
 4.LOW CONTACT RESISTANCE: INITIAL 40MΩ
 AFTER 50MΩ
5.ENVIRONMENTAL PERFORMANCE:
 OPERATING TEMPERATURE: -30°C~+80°C.
6.IR REFLOW:
 THE PEAK TEMPERATURE ON THE BOARD SHALL
 BE MAINTAINED FOR 10 SECONDS AT 260°C.

MATERIAL LIST:

No.	PART NAME	QTY	MATERIAL	REMARK
5	MID PLATE	1	STAINLESS STEEL	NI PLATED
4	OUT SHELL	1	STAINLESS STEEL	NI PLATED
3	INNER SHELL	1	STAINLESS STEEL	NI PLATED
2	CONTACT	16	COPPER ALLOY	AU PLATED
1	HOUSING	1	THERMOPLASTIC(LCP)	(UL 94V-0) BLACK



GENERAL TOLERANCES (UNLESS SPECIFIED)			DRAWN BY	DATE	 TEL: +86 0755 27801940 Mob: +86 15889397634 www.techedom.com
ITEM	MM	INCH	QinYu	2021.08.20	
3 PLACE	±0.05	±0.005	ROGER	2021.08.20	
2 PLACE	±0.10	±0.01	FRED.TONG	2021.08.20	
1 PLACE	±0.20	±0.015			
0 PLACE	±0.30	±0.02			
ANGULAR ± 2°			ANGLE OF PROJECTION		TITLE: TYPE-C 16PIN 母座上垫高4.3MM L=8.0 CH5.90 外壳两个焊点
METRIC	U.S.				
MM	INCHES		SIZE A4	PART NO. EU16F2B3N11413SR	SHEET 1 OF 2

THIS DRAWING CONTAINS INFORMATION THAT IS PROPRIETARY TO EDOM INCORPORATED AND SHOULD NOT BE USE WITHOUT WRITTEN PERMISSION

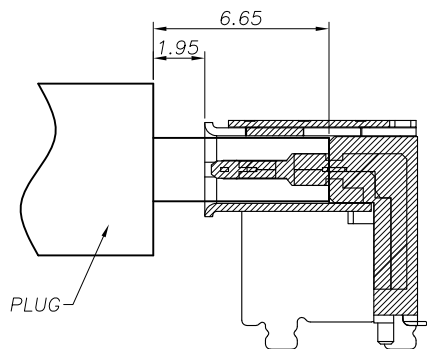
REV. A

RoHS Compliant

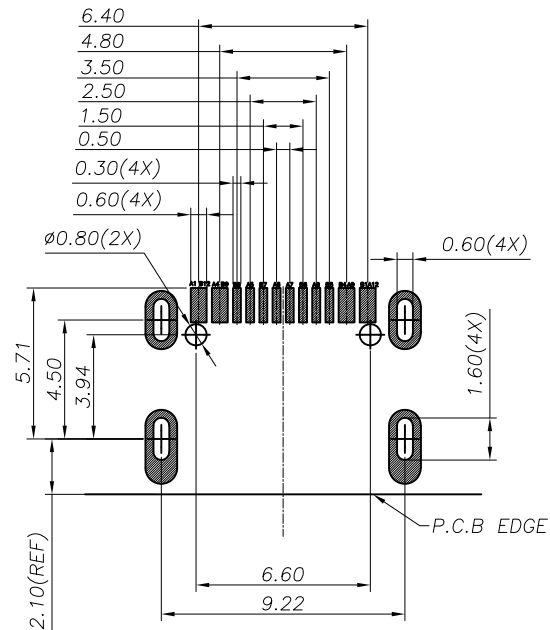
REV.	DESCRIPTION	SIGN	DATE
A	NEW	QinYu	2021.08.20

USB TYPE-C PIN ASSIGNMENTS


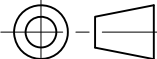
PIN NUMBER	SIGNAL NAME	PIN NUMBER	SIGNAL NAME
A1	GND	B12	GND
A4	VBUS	B9	VBUS
A5	CC1	B8	SBU2
A6	Dp1	B7	Dn2
A7	Dn1	B6	Dp2
A8	SBU1	B5	CC2
A9	VBUS	B4	VBUS
A12	GND	B1	GND



AFTER MATING
SCALE 1:1



RECOMMEND P.C.B LAYOUT (COMPONENT SIDE)
TOLERANCE FOR PCB LAYOUT IS ± 0.05

GENERAL TOLERANCES (UNLESS SPECIFIED)			DRAWN BY QinYu	DATE 2021.08.20	 TEL: +86 0755 27801940 Mob: +86 15889397634 www.techedom.com
ITEM	MM	INCH	CHECKED BY Roger	DATE 2021.08.20	
3 PLACE	± 0.05	± 0.005	APPROVED BY Fred.Tong	DATE 2021.08.20	TITLE: TYPE-C 16PIN 母座板上垫高4.3MM L=8.0 CH5.90 外壳两个焊点
2 PLACE	± 0.10	± 0.01	SCALE	N/A	
1 PLACE	± 0.20	± 0.015	SIZE A4	PART NO. EU16F2B3N11413SR	SHEEL 2 OF 2
0 PLACE	± 0.30	± 0.02	ANGLE OF PROJECTION		
ANGULAR $\pm 2^\circ$					
METRIC		U.S.			
MM		INCHES			

THIS DRAWING CONTAINS INFORMATION THAT IS PROPRIETARY TO EDOM INCORPORATED AND SHOULD NOT BE USE WITHOUT WRITTEN PERMISSION

REV.
A