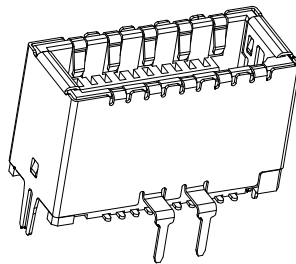
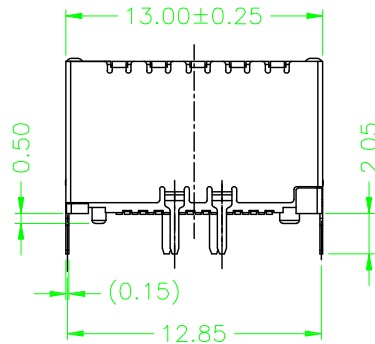
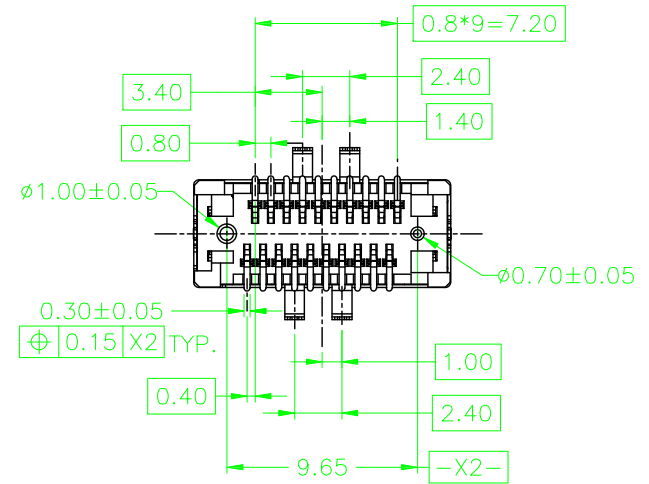
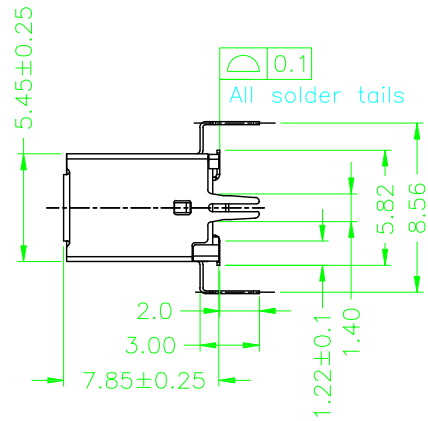
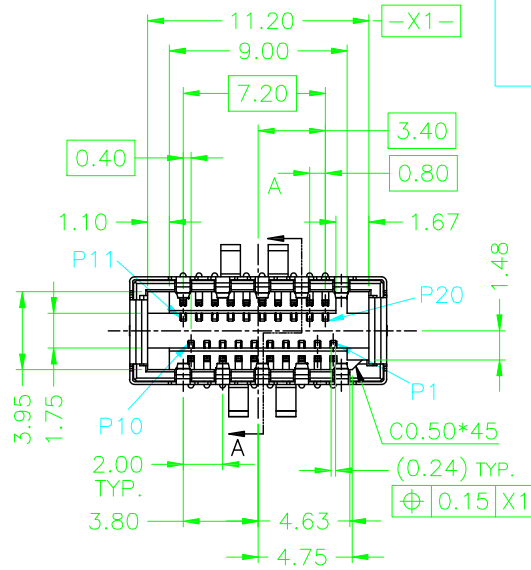
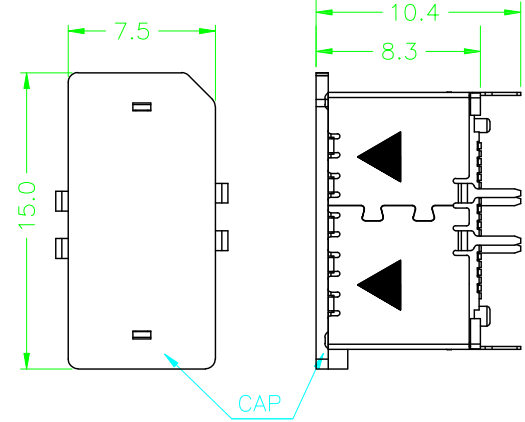
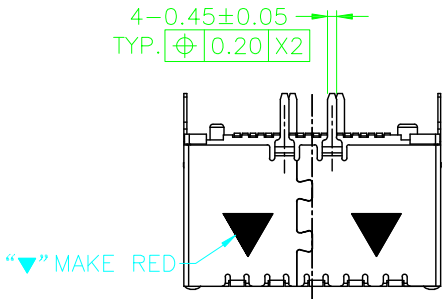


RoHS Compliant

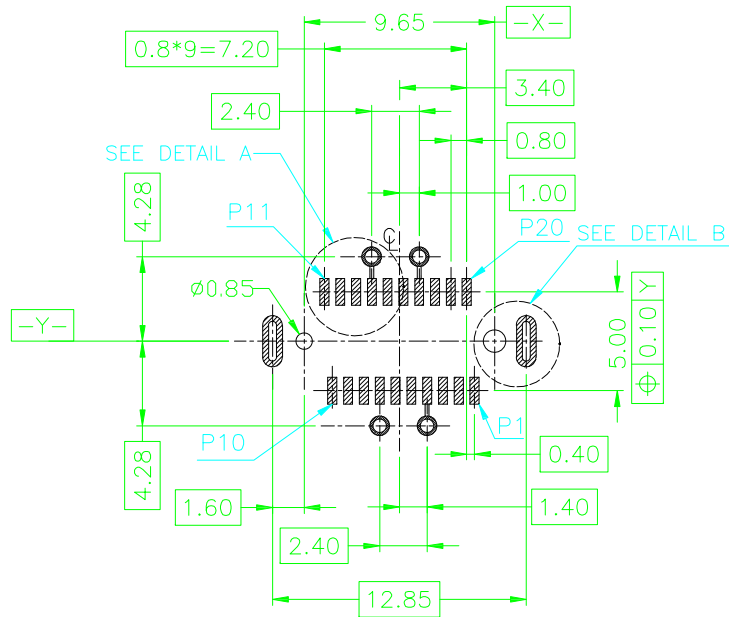


REV.	DESCRIPTION	SIGN	DATE
A	NEW	RuoBiaoLing	2019/05/20

GENERAL TOLERANCES (UNLESS SPECIFIED)			DRAWN BY		DATE				
3 PLACE	±0.15	±0.005	RuoBiaoLing	2019/05/20					TITLE:
2 PLACE	±0.25	±0.01					USB3.1 INTERNAL CONNECTOR 20P REC		
1 PLACE	±0.35	±0.015	APPROVED BY		DATE		PART NO.		
0 PLACE	±0.50	±0.02	Fred.Tong		2019/05/20		EU20F2B3NX1350SR		
ANGULAR ± 3°			ANGLE OF PROJECTION		SIZE		SCALE		
METRIC					A4		N/A		
MM			U.S.		SHEET 1 OF 2		REV.		
			INCHES				A		
THIS DRAWING CONTAINS INFORMATION THAT IS PROPRIETARY TO EDOM INCORPORATED AND SHOULD NOT BE USE WITHOUT WRITTEN PERMISSION									

RoHS Compliant

REV.	DESCRIPTION	SIGN	DATE
A	NEW	RuoBiaoLing	2019/05/20



RECOMMENDED P.C.B LAYOUT
(TOLERANCE±0.05)

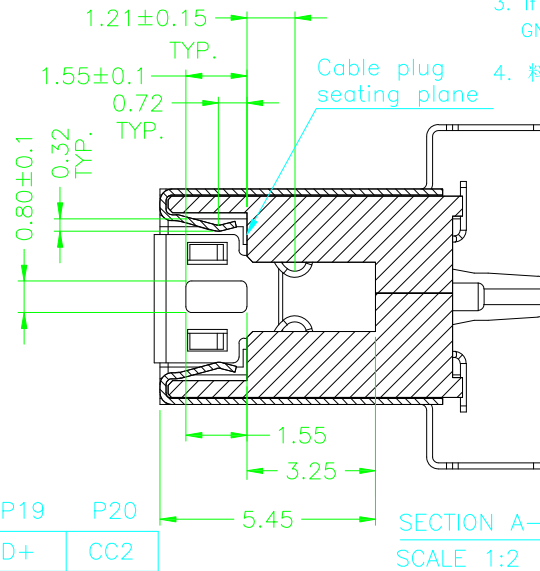
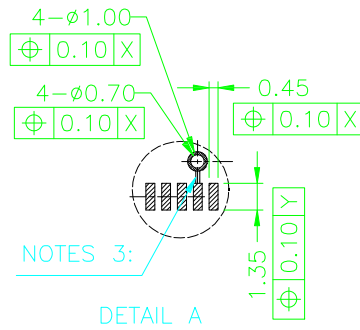
P.C.B PAD

Pin Map to support one Type-C port

P11	P12	P13	P14	P15	P16	P17	P18	P19	P20
VBUS	TX2+	TX2-	GND	RX2+	RX2-	GND	D-	D+	CC2
SBU2	SBU1	CC1	VBUS	RX1-	RX1+	GND	TX1-	TX1+	VBUS
P10	P9	P8	P7	P6	P5	P4	P3	P2	P1

Pin Map to support two Standard-A ports

P11	P12	P13	P14	P15	P16	P17	P18	P19	P20
VBUS			GND			GND	D-	D+	
			VBUS	RX1-	RX1+	GND	TX1-	TX1+	VBUS
P10	P9	P8	P7	P6	P5	P4	P3	P2	P1



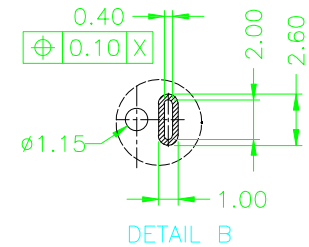
SECTION A-A
SCALE 1:2

NOTES :

- MATERIAL :
 - HOUSING: LCP,UL94 V-0, BLACK,
 - CONTACTS: COPPER ALLOY C5210-EH T=0.15mm,
 - SHELL: STAINLESS STEEL SUS304-H T=0.15mm
- FINISH :
 - CONTACT
PLATING AU ON THE CONTACT AREA, SEE NOTES 4
Au 5u"MIN PLATING ON THE SOLDER AREA.
50u" MIN NICKEL PLATING UNDERLAYER.
 - SHELL
TIN-PLATE ON THE SOLDER AREA.
- If EMI Shell Solder Lead is Connected to the Adjacdat GND Pin viatrce,it Need to be Isolated By Solder Resist

4. 料号说明: EU20F2B3N X 1350SR

- 1=半金雾锡1U"
- 3=半金雾锡3U"
- 4=半金雾锡5U"
- 5=半金雾锡15U"
- 6=半金雾锡30U"



GENERAL TOLERANCES (UNLESS SPECIFIED)			DRAWN BY RuoBiaoLing		DATE 2019/05/20				
ITEM	MM	INCH	CHECKED BY		DATE				TITLE:
3 PLACE	±0.15	±0.005	/		/		USB3.1 INTERNAL CONNECTOR 20P REC		
2 PLACE	±0.25	±0.01	APPROVED BY		DATE		SIZE		
1 PLACE	±0.35	±0.015	Fred.Tong		2019/05/20		A4		
0 PLACE	±0.50	±0.02	ANGLE OF PROJECTION				PART NO.		
ANGULAR ± 3°							EU20F2B3NX1350SR		
METRIC	U.S.						SCALE		
MM	INCHES						N/A		
THIS DRAWING CONTAINS INFORMATION THAT IS PROPRIETARY TO EDOM INCORPORATED AND SHOULD NOT BE USE WITHOUT WRITTEN PERMISSION								SHEEL 2 OF 2	
									REV. A