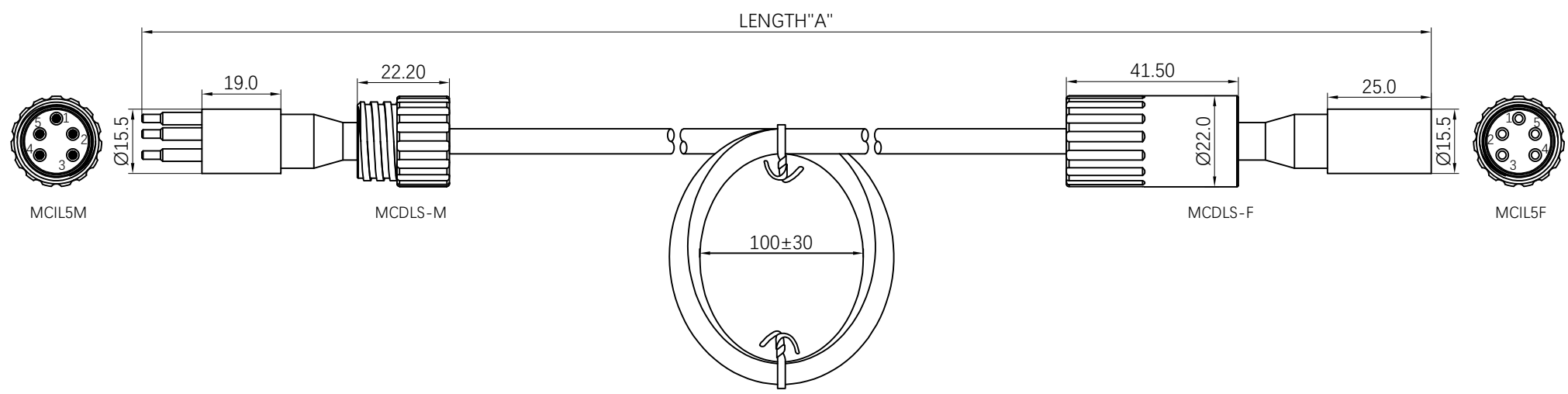


REV	ECN NO	DESCRIPTION	DATE	APPROVED
A	-	NEW RELEASED	2022.01.05	MAY.YU



Connector specifications:
 Voltage rating: 300V DC/AC rms
 Current rating: 5A per contact(max 10A per connector)
 Insulation resistance: $\geq 200 \text{ M}\Omega$
 Contact resistance: $< 0.01 \Omega$
 Durability: ≥ 500 Times Cycles.
 Temperature rating (water): -4°C to $+60^\circ\text{C}$
 Temperature rating (air): -40°C to $+60^\circ\text{C}$
 Storage temperature rating: -40°C to $+60^\circ\text{C}$
 Qualified pressure tested: 800bar, 11600psi, 80MPA
 (8 kilometers underwater)

Material specifications:
 Connector body: Chloroprene rubber
 Contacts: Male pins in gold plated beryllium copper
 Female sockets in gold plated brass
 Snap rings: Stainless steel
 O-rings: Nitrile rubber
 Locking sleeves: POM, Red

Cable specifications:
 20AWG 5Conductor, OD7.9mm, Chloroprene rubber cable, Black



UNMARKED TOLERANCES		TITLE MCIL5M TO MCIL5F MICRO CONNECTOR UNDERWATER CABLE ASSEMBLY		EDOM ELECTRONICS		TEL: +86 0755 27801940 Mob: +86 15889397634 www.techedom.com	
DIMENSIONS	TOLERANCE	CUSTOMER -		CUSTOMER PART NO. -			
x	± 0.5	DRAWN BY	MAY.YU	PART NUMBER	MCIL5M-MCIL5F-L*	SIZE	REV
x.x	± 0.25	CHECKED BY	BILL.LEE	DRAWING NUMBER	MCIL5	A4	A
x.xx	± 0.15	APPROVED BY	TIGER.WANG	SCALE FREE	ALL DIMENSION UNIT IN MM	SHEET 1 OF 1	
0 to 500	$+15 / -0$						
> 501	$+3\%/ -0$ of length						
ANGLES							
x°	$\pm 1^\circ$						

