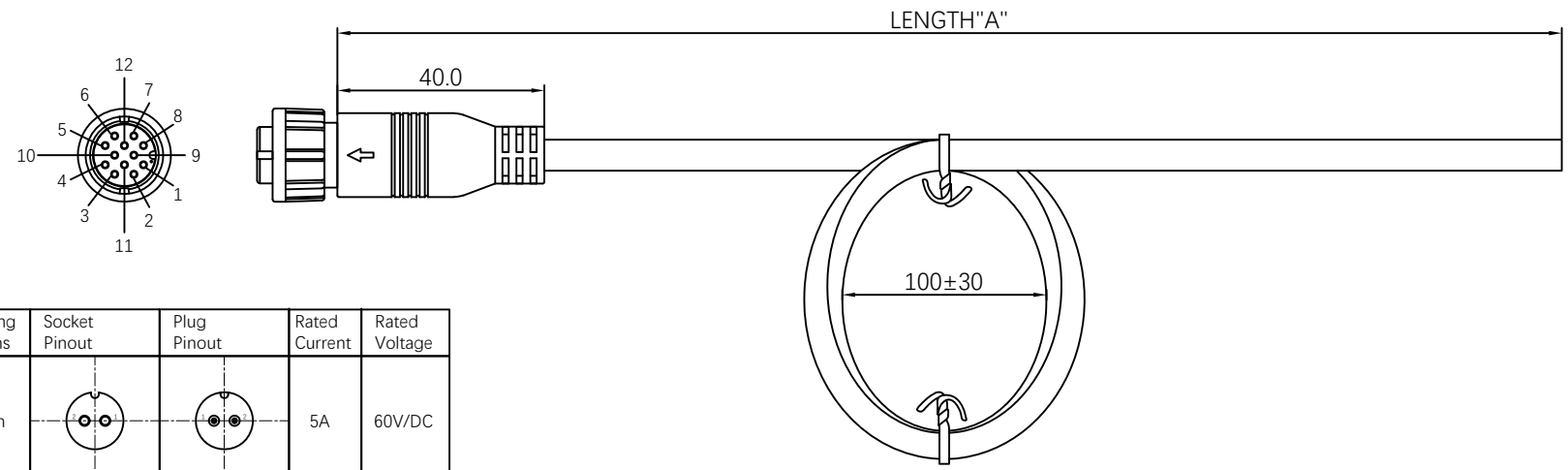


| REV | ECN NO | DESCRIPTION  | DATE       | APPROVED |
|-----|--------|--------------|------------|----------|
| A   | -      | NEW RELEASED | 2022.10.28 | CLARA    |



**TABLE 1**

| Yameter.com Connector Part No. | Coding & Pins | Socket Pinout | Plug Pinout | Rated Current | Rated Voltage |
|--------------------------------|---------------|---------------|-------------|---------------|---------------|
| -                              | 2 Pin         |               |             | 5A            | 60V/DC        |
| -                              | 3 Pin         |               |             | 5A            | 60V/DC        |
| -                              | 4 Pin         |               |             | 5A            | 60V/DC        |
| -                              | 5 Pin         |               |             | 5A            | 60V/DC        |
| -                              | 6 Pin         |               |             | 5A            | 60V/DC        |
| -                              | 7 Pin         |               |             | 5A            | 60V/DC        |
| -                              | 8 Pin         |               |             | 5A            | 60V/DC        |

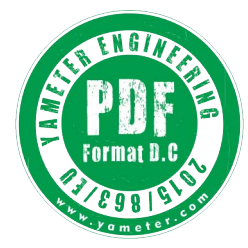
Electrical specifications:  
 Use of voltage range: See Table 1  
 Current range: See Table 1  
 Temperature range: -40°C~+80°C

Material specifications:  
 Cable: UL Style Cable PVC or PU  
 Connector: B Size Connectors

Mechanical performance:  
 Minimum bending radius:  
 Fixed installation: 8x Cable OD  
 Flexible installation: 10x Cable OD

Electrical testing of finished cable:  
 100% Open / Short / Miswiring testing  
 Insulation resistance: DC300V 10MΩ  
 Conductor resistance: 5Ω

Manufacturer: Yameter



|                     |                  |  |        |  |                          |
|---------------------|------------------|--|--------|--|--------------------------|
| UNMARKED TOLERANCES |                  | <b>TITLE</b><br>CIRCULAR STANDARD B SIZE<br>CONNECTOR PRE-MOLDED<br>CABLE ASSEMBLY |        | TEL: +86 0755 27801940<br>Mob: +86 15889397634<br>www.techedom.com |                          |
| DIMENSIONS          | TOLERANCE        |  |        |  |                          |
| x                   | ±0.5             | CUSTOMER   | -      | CUSTOMER PART NO.  | -                        |
| x.x                 | ±0.25            | DRAWN BY   | CLARA  | PART NUMBER  | -                        |
| x.xx                | ±0.15            | CHECKED BY   | BILL   | DRAWING NUMBER   | B-size-connecting        |
| 0 to 500            | +15 / -0         | APPROVED BY  | KIMKEE | SCALE FREE   | ALL DIMENSION UNIT IN MM |
| > 501               | +3%/-0 of length |  |        |  | SHEET 1 OF 1             |
| ANGLES              |                  |  |        |  |                          |
| x°                  | ±1°              |  |        |  |                          |

