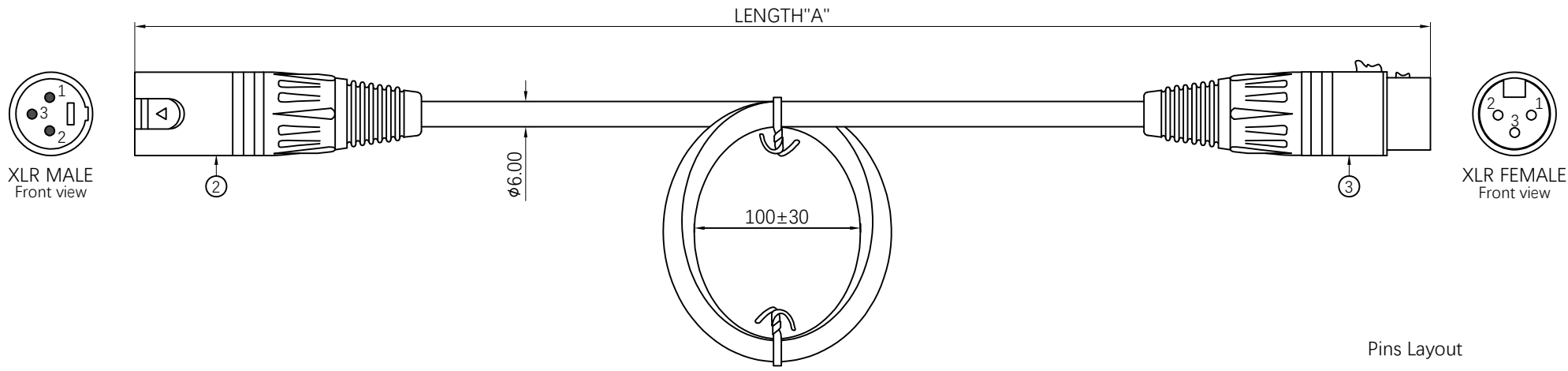


REV	ECN NO	DESCRIPTION	DATE	APPROVED
A	-	NEW RELEASED	2022.01.05	MAY.YU

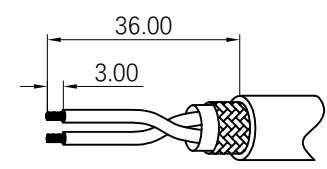
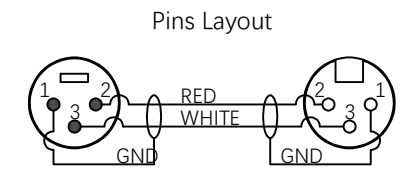


Electrical specifications:
 Standard: IEC61076-2-103
 Use of voltage range: < AC2.4V
 Current range: 3A
 Insulation resistance: > 500kΩ
 Temperature range: -20°C~+80°C
 Withstand voltage: AC 500V 50- 60HZ for 1 min
 Without breakdown: 50-60HZ 500V 1 min
 Impedance: 120 ohm
 Conductor resistance: max. 80 ohm/km
 Spec. output resistor: > 10¹⁶ ohm x cm

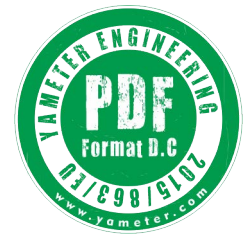
Material specifications
 Contact: Brass with gold plated
 Insulation: PA, Black, UL94V-0
 Housing: Brass with nickel plated

Mechanical properties
 Minimum bending radius: Fixed installation: 8x Cable OD
 Flexible installation: 10x Cable OD

Electrical testing of finished cable
 100% Open / Short / Miswiring testing
 Insulation resistance: DC300V 10MΩ
 Conductor resistance: 5Ω



RECOMMENDED
CABLE JACKET STRIPING OFF DIM'S



UNMARKED TOLERANCES		TITLE		EDOM ELECTRONICS		TEL: +86 0755 27801940 Mob: +86 15889397634 www.techedom.com	
DIMENSIONS	TOLERANCE	XLR CONNECTOR DMX CABLE ASSEMBLY				SIZE	REV
x	±0.5	CUSTOMER		-	CUSTOMER PART NO.	-	
x.x	±0.25	DRAWN BY		MAY.YU	PART NUMBER	dmx-cable	A4
x.xx	±0.15	CHECKED BY		BILL.LEE	DRAWING NUMBER	dmx-cable	A
0 to 500	+15 / -0	APPROVED BY		TIGER.WANG	SCALE FREE	ALL DIMENSION UNIT IN MM	SHEET 1 OF 1
> 501	+3%/ -0 of 100µm						
ANGLES							
x°	±1°						

