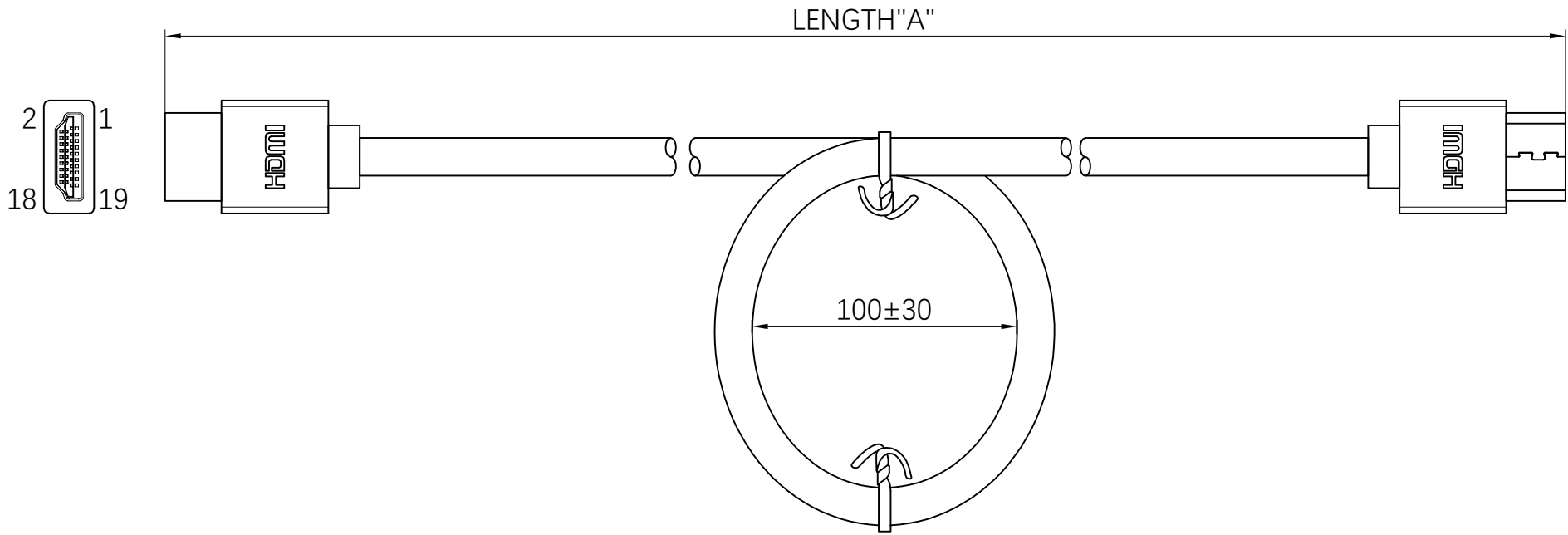




REV	ECN NO	DESCRIPTION	DATE	APPROVED
A	-	NEW RELEASED	2022.01.05	MAY.YU



Material specifications
 Cable: HDMI Cable
 Connector: HDMI TYPE A Plug Connector
 Overmolding: Black PVC or Aluminum alloy

Electrical testing of finished cable
 100% Open / Short / Miswiring testing
 Insulation resistance: DC300V 10MΩ
 Conductor resistance: 5Ω

UNMARKED TOLERANCES	
DIMENSIONS	TOLERANCE
x.	±0.5
x.x	±0.25
x.xx	±0.15
0 to 500	+15 / -0
> 501	+3%/-0 _{of length}
ANGLES	
x°	±1°

TITLE		 TEL: +86 0755 27801940 Mob: +86 15889397634 www.techedom.com			
STANDARD HDMI CABLE					
CUSTOMER	-	CUSTOMER PART NO.	-		
DRAWN BY	MAY.YU	PART NUMBER	hdmi-cable		
CHECKED BY	BILL.LEE	DRAWING NUMBER	hdmi-cable		SIZE
APPROVED BY	TIGER.WANG	SCALE FREE	ALL DIMENSION UNIT IN MM		A4
				REV	
				A	
				SHEET 1 OF 1	

