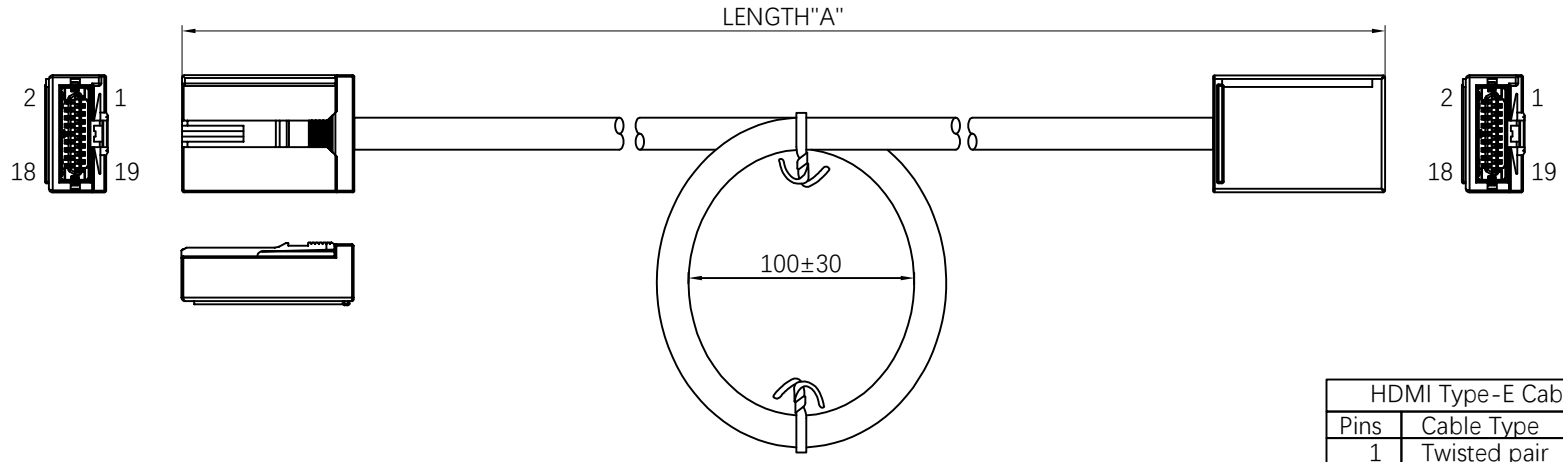


REV	ECN NO	DESCRIPTION	DATE	APPROVED
A	-	NEW RELEASED	2022.01.05	MAY.YU

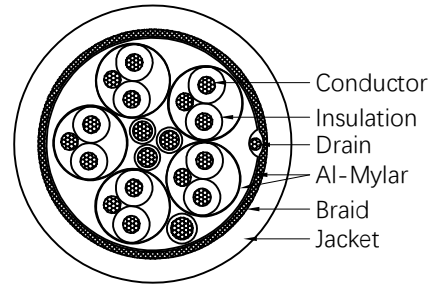


Pins	Cable Type	Pins	Signal Name
1	Twisted pair	1	D1+
3	Twisted pair	3	D1-
5	Drain	5	GND
4	Twisted pair	4	D2+
6	Twisted pair	6	D2-
2	Drain	2	GND
7	Twisted pair	7	D3+
9	Twisted pair	9	D3-
11	Drain	11	GND
10	Twisted pair	10	D4+
12	Twisted pair	12	D4-
8	Drain	8	GND
13	Twisted pair	13	D5+
15	Twisted pair	15	D5-
14	Drain	14	GND
16	Single Wires	16	NA
17	Single Wires	17	NA
19	Single Wires	19	NA
18	Single Wires	18	POWER
Shell	Shield	Shell	GND

Electrical specifications:
 Use of voltage range: 30V
 Current range: 0.5A
 Temperature range: -40°C~+105°C

Material specifications
 Cable: HDMI Cable(32AWGx1PR+DAM)x5C+
 32AWGx3C+26AWGx1C+ADB,OD5.0mm,Black PVC
 Connector: HDMI Type E
 Overmolding: Black PVC

Electrical testing of finished cable
 100% Open / Short / Miswiring testing
 Insulation resistance: DC150V 10MΩMin
 Conductor resistance: 3Ω Max



Cable section view

UNMARKED TOLERANCES		TITLE		EDOM ELECTRONICS		TEL: +86 0755 27801940	
DIMENSIONS	TOLERANCE	I/O HDMI TYPE-E / DMI TYPE-E CABLE ASSEMBLY		Mob: +86 15889397634		www.techedom.com	
x	±0.5	CUSTOMER	-	CUSTOMER PART NO.	-		
x.x	±0.25	DRAWN BY	MAY.YU	PART NUMBER	hdmi-e-cable	SIZE	REV
x.xx	±0.15	CHECKED BY	BILL.LEE	DRAWING NUMBER	hdmi-e-cable	A4	A
0 to 500	+15 / -0	APPROVED BY	TIGER.WANG	SCALE FREE	ALL DIMENSION UNIT IN MM	SHEET 1 OF 1	
> 501	+3%/ -0 of length						
ANGLES							
x°	±1°						

