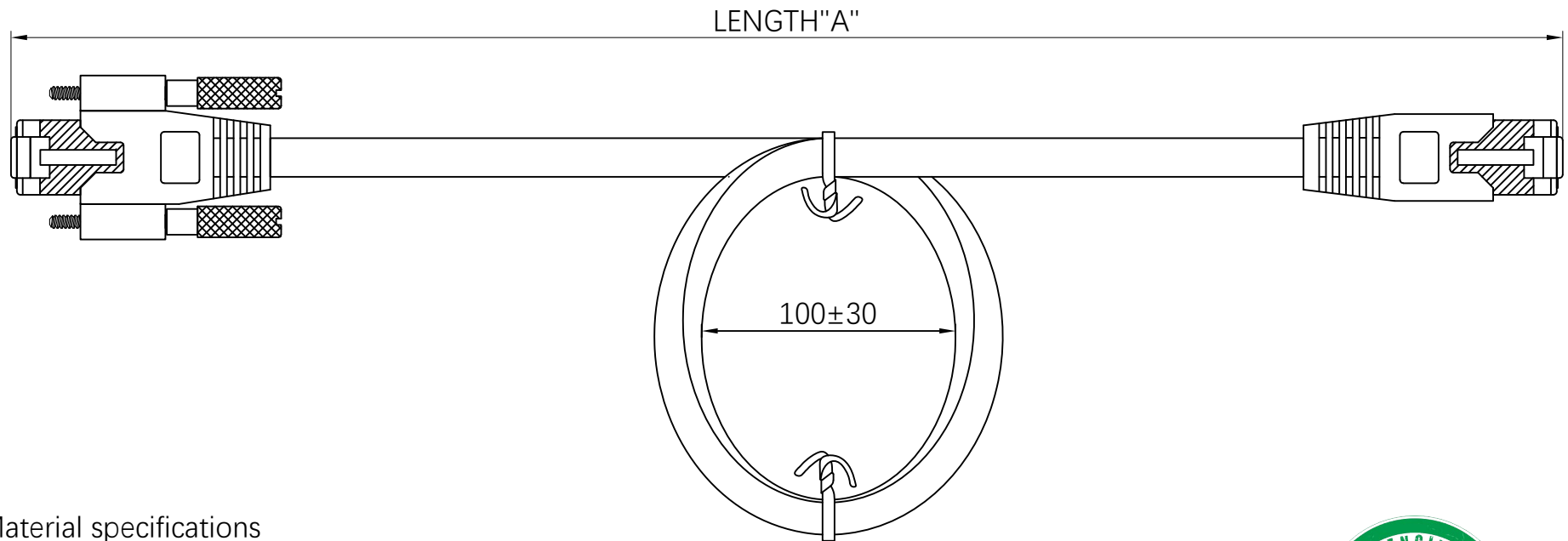


| | | | | |
|-----|--------|--------------|------------|----------|
| REV | ECN NO | DESCRIPTION | DATE | APPROVED |
| A | - | NEW RELEASED | 2022.01.05 | CLARA |




Material specifications
 Contact: Brass with gold plated
 Insulation: PC, UL94V-0
 Housing: Brass with nickel plated

Mechanical properties
 Minimum bending radius: Fixed installation: 8x Cable OD
 Flexible installation: 10x Cable OD

Electrical testing of finished cable
 100% Open / Short / Miswiring testing
 Insulation resistance: DC300V 10MΩ
 Conductor resistance: 5Ω



| | | | | | | | |
|---------------------|-----------------------------|--|--------|--|--------------------------|------|--------------|
| UNMARKED TOLERANCES | | TITLE | |  TEL: +86 0755 27801940 Mob: +86 15889397634 www.techedom.com | | | |
| DIMENSIONS | TOLERANCE | RJ45 PLUG/PLUG EHTERNET WITH SCREW CABLE ASSEMBLY | | CUSTOMER PART NO. | | - | |
| x. | ±0.5 | CUSTOMER | - | PART NUMBER | lan-cable-cat5e | SIZE | REV |
| x.x | ±0.25 | DRAWN BY | CLARA | DRAWING NUMBER | lan-cable-cat5e | A4 | A |
| x.xx | ±0.15 | CHECKED BY | BILL | SCALE FREE | ALL DIMENSION UNIT IN MM | | SHEET 1 OF 1 |
| 0 to 500 | +15 / -0 | APPROVED BY | KIMKEE | | | | |
| > 501 | +3%/-0 ^{of length} | | | | | | |
| ANGLES | | | | | | | |
| x° | ±1° | | | | | | |

