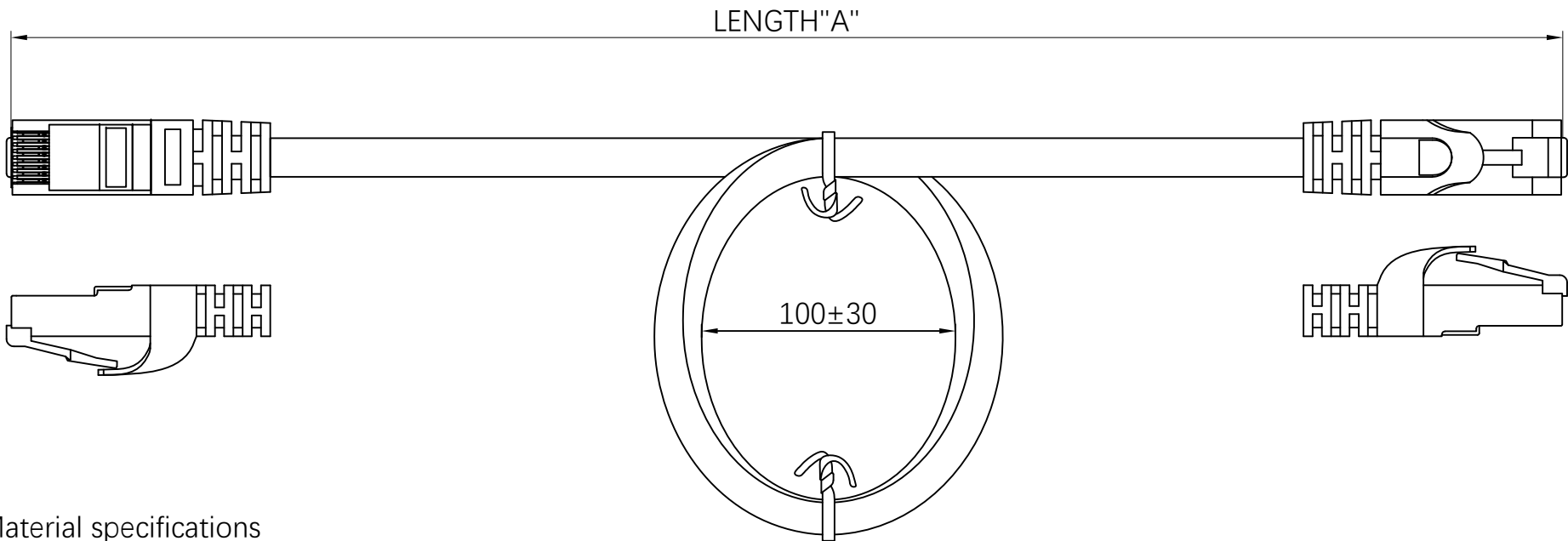


REV	ECN NO	DESCRIPTION	DATE	APPROVED
A	-	NEW RELEASED	2022.01.05	CLARA

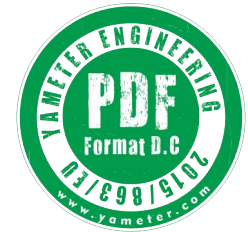
Customer drawing  
**RoHS**


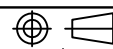


Material specifications  
 Contact: Brass with gold plated  
 Insulation: PC, UL94V-0  
 Housing: Brass with nickel plated

Mechanical properties  
 Minimum bending radius: Fixed installation: 8x Cable OD  
 Flexible installation: 10x Cable OD

Electrical testing of finished cable  
 100% Open / Short / Miswiring testing  
 Insulation resistance: DC300V 10MΩ  
 Conductor resistance: 5Ω



UNMARKED TOLERANCES		<b>TITLE</b>		 TEL: +86 0755 27801940 Mob: +86 15889397634 www.techedom.com			
DIMENSIONS	TOLERANCE	<b>NETWORK LAN PATCH CABLE CAT6A CABLE ASSEMBLY</b>					
x.	±0.5	CUSTOMER	-	CUSTOMER PART NO.	-		
x.x	±0.25	DRAWN BY	CLARA	PART NUMBER	lan-cable-cat6a		
x.xx	±0.15	CHECKED BY	BILL	DRAWING NUMBER	lan-cable-cat6a	SIZE	REV
0 to 500	+15 / -0	APPROVED BY	KIMKEE	SCALE FREE	ALL DIMENSION UNIT IN MM	A4	A
> 501	+3%/-0 <sup>of length</sup>					SHEET 1 OF 1	
ANGLES							
x°	±1°						

