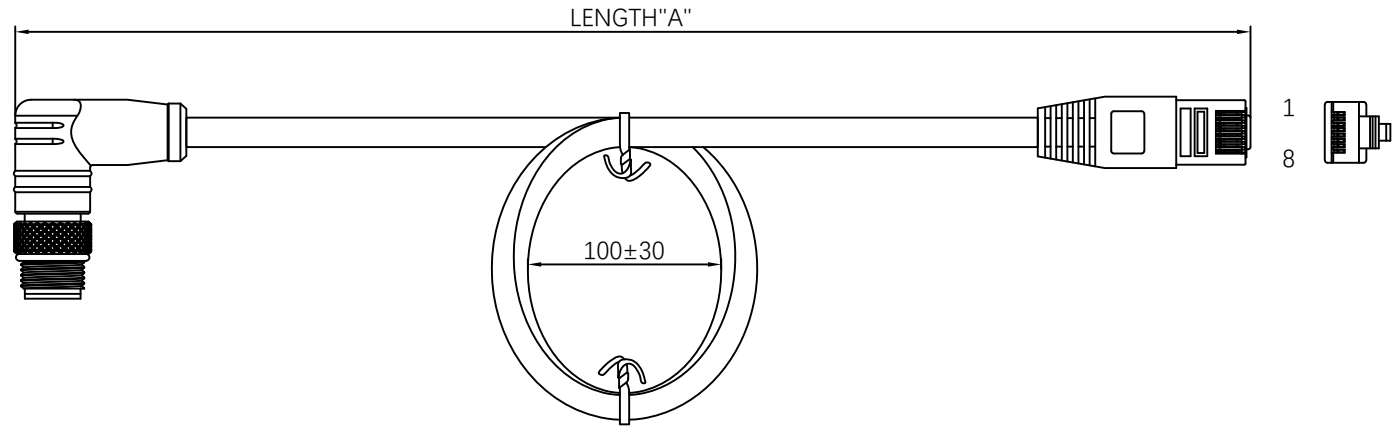
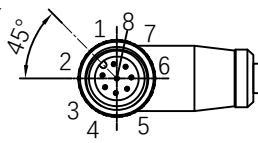


REV	ECN NO	DESCRIPTION	DATE	APPROVED
A	-	NEW RELEASED	2022.01.05	CLARA



注意防呆点角度
* Key Position



Electrical specifications:

- Use of voltage range: 30V
- Current range: 2A
- Temperature range: -20°C~+80°C

Material specifications:

- Cable: CAT5E SHIELD CABLE
- Connector: M12 A Code Plug/RJ45 Plug
- Body Shell: Black TPU

Electrical testing of finished cable:

- 100% Open / Short / Miswiring testing
- Insulation resistance: DC300V 10MΩMin
- Conductor resistance: 5Ω Max



UNMARKED TOLERANCES		TITLE		EDOM ELECTRONICS		TEL: +86 0755 27801940	
DIMENSIONS	TOLERANCE	M12 INDUSTRIAL ETHERNET CABLE ASSEMBLY		Mob: +86 15889397634		www.techedom.com	
x	±0.5	CUSTOMER	-	CUSTOMER PART NO.	-		
x.x	±0.25	DRAWN BY	CLARA	PART NUMBER	lan-cable-m12-angle	SIZE	REV
x.xx	±0.15	CHECKED BY	BILL	DRAWING NUMBER	lan-cable-m12-angle	A3	A
0 to 500	+15 / -0	APPROVED BY	KIMKEE	SCALE FREE	ALL DIMENSION UNIT IN MM	SHEET 1 OF 1	
> 501	+3%/-0 of length						
ANGLES							
x°	±1°						

