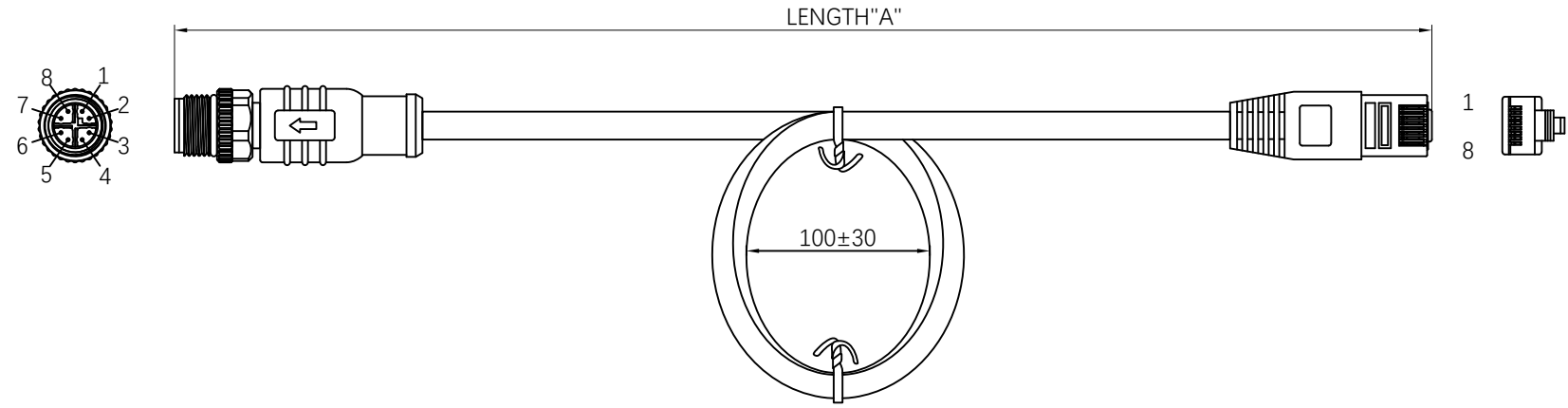


REV	ECN NO	DESCRIPTION	DATE	APPROVED
A	-	NEW RELEASED	2022.01.05	CLARA



Electrical specifications:

- Use of voltage range: 30V
- Current range: 1A
- Temperature range: -20°C~+80°C


Material specifications: Cable: CAT6A SHIELD CABLE

- Connector: M12 X Code Plug/RJ45 Plug
- Body Shell: Blue or Green TPU

Electrical testing of finished cable:

- 100% Open / Short / Miswiring testing
- Insulation resistance: DC300V 10MΩMin
- Conductor resistance: 5Ω Max



UNMARKED TOLERANCES		TITLE		 TEL: +86 0755 27801940 Mob: +86 15889397634 www.techedom.com	
DIMENSIONS	TOLERANCE	M12 X CODE INDUSTRIAL ETHERNET CABLE ASSEMBLY			
x	±0.5	CUSTOMER	-	CUSTOMER PART NO.	-
x.x	±0.25	DRAWN BY	CLARA	PART NUMBER	lan-cable-m12-x
x.xx	±0.15	CHECKED BY	BILL	DRAWING NUMBER	lan-cable-m12-x
0 to 500	+15 / -0	APPROVED BY	KIMKEE	SCALE FREE	ALL DIMENSION UNIT IN MM
> 501	+3W/-0 of length				SHEET 1 OF 1
ANGLES					
x°	±1°				

