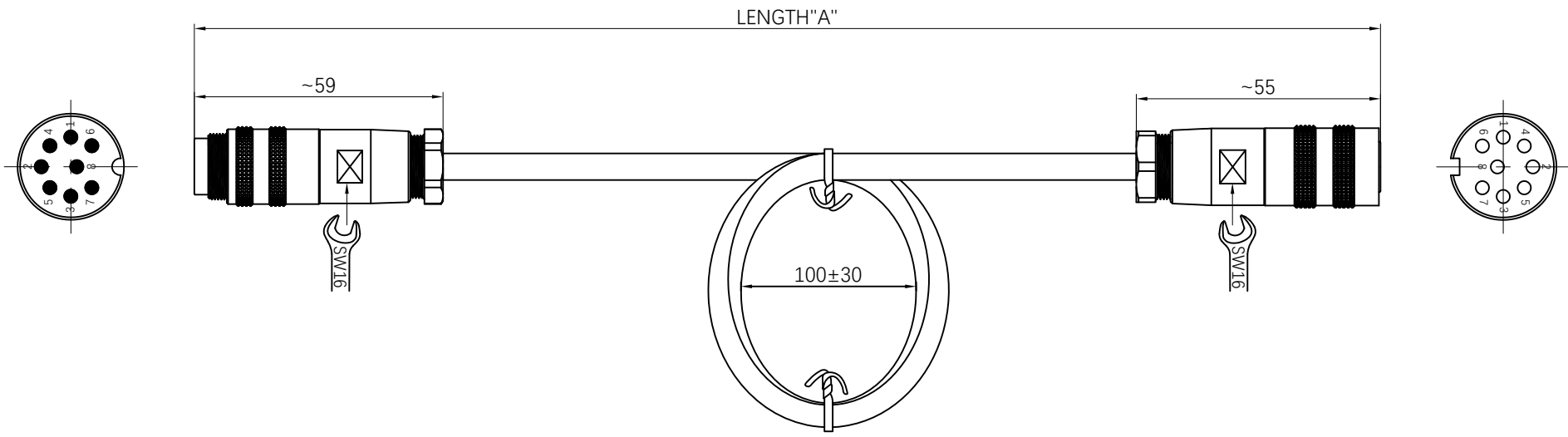


|     |        |              |            |          |
|-----|--------|--------------|------------|----------|
| REV | ECN NO | DESCRIPTION  | DATE       | APPROVED |
| A   | -      | NEW RELEASED | 2022.01.05 | MAY.YU   |



Electrical specifications:  
 Use of voltage range: 300V  
 Current range: 5A  
 Temperature range: -40°C~+80°C

Material specifications:  
 Cable: UL Style Cable PVC or TPU  
 Connector: M16 Connector AISG  
 Body Shell: Brass with Nickel Plated

Mechanical performance:  
 Minimum bending radius: Fixed installation: 8x Cable OD  
 Flexible installation: 10x Cable OD

Electrical testing of finished cable:  
 100% Open / Short / Miswiring testing  
 Insulation resistance: DC300V 10MΩ  
 Conductor resistance: 5Ω

Manufacturer: yameter  
 Standard: IEC61076-2-106



| UNMARKED TOLERANCES |                  | TITLE                                    |  | EDOM ELECTRONICS |                   | TEL: +86 0755 27801940   |                  |
|---------------------|------------------|--|--|------------------|-------------------|--------------------------|------------------|
| DIMENSIONS          | TOLERANCE        | M16 CABLE CONNECTOR FIELD CABLE ASSEMBLY |  | ELECTRONICS      |                   | Mob: +86 15889397634     |                  |
| x                   | ±0.5             | CUSTOMER                                 |  | -                | CUSTOMER PART NO. | -                        | www.techedom.com |
| x.x                 | ±0.25            | DRAWN BY                                 |  | MAY.YU           | PART NUMBER       | m16-cable-connector      | SIZE A3          |
| x.xx                | ±0.15            | CHECKED BY                               |  | BILL             | DRAWING NUMBER    | m16-cable-connector      | REV A            |
| 0 to 500            | +15 / -0         | APPROVED BY                              |  | KIMKEE           | SCALE FREE        | ALL DIMENSION UNIT IN MM | SHEET 1 OF 1     |
| > 501               | +3W/-0 of length | ANGLES                                   |  | x°               | ±1°               |                          |                  |

