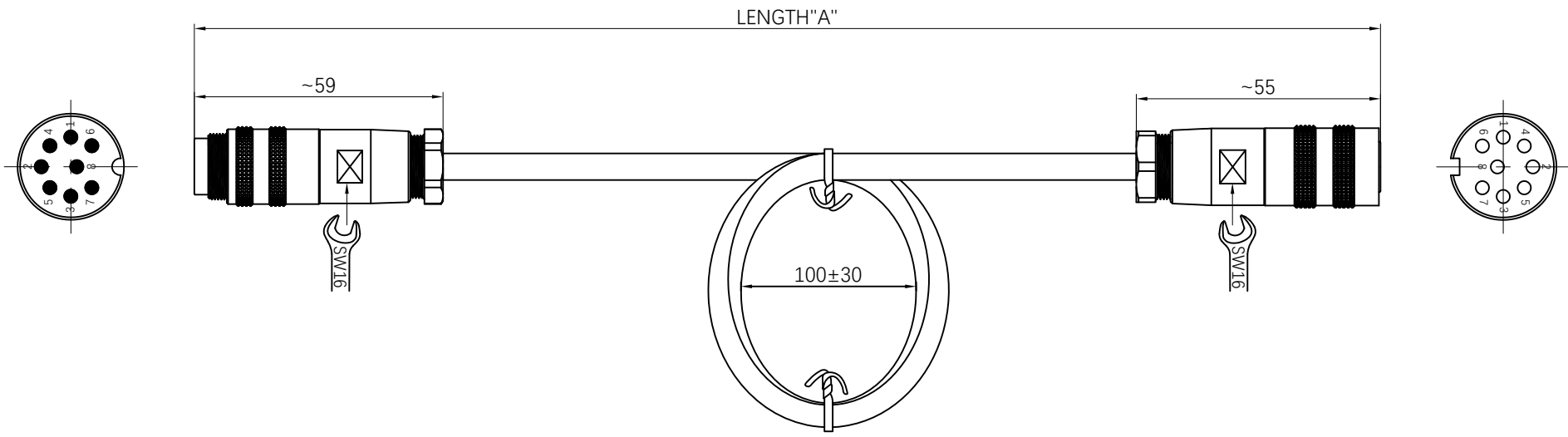


REV	ECN NO	DESCRIPTION	DATE	APPROVED
A	-	NEW RELEASED	2022.01.05	MAY.YU



Electrical specifications:
 Use of voltage range: 300V
 Current range: 5A
 Temperature range: -40°C~+80°C


Material specifications:
 Cable: UL Style Cable PVC or TPU
 Connector: M16 Connector AISG
 Body Shell: Brass with Nickel Plated

Mechanical performance:
 Minimum bending radius: Fixed installation: 8x Cable OD
 Flexible installation: 10x Cable OD

Electrical testing of finished cable:
 100% Open / Short / Miswiring testing
 Insulation resistance: DC300V 10MΩ
 Conductor resistance: 5Ω

Manufacturer: yameter
 Standard: IEC61076-2-106



UNMARKED TOLERANCES		TITLE		EDOM ELECTRONICS		TEL: +86 0755 27801940	
DIMENSIONS	TOLERANCE	M16 CABLE CONNECTOR FIELD CABLE ASSEMBLY		Mob: +86 15889397634		www.techedom.com	
x	±0.5	CUSTOMER	-	CUSTOMER PART NO.	-		
x.x	±0.25	DRAWN BY	MAY.YU	PART NUMBER	m16-cable-connector	SIZE	REV
x.xx	±0.15	CHECKED BY	BILL	DRAWING NUMBER	m16-cable-connector	A3	A
0 to 500	+15 / -0	APPROVED BY	KIMKEE	SCALE FREE	ALL DIMENSION UNIT IN MM	SHEET 1 OF 1	
> 501	+3M/-0 of length						
ANGLES							
x°	±1°						

