

| REV | ECN NO | DESCRIPTION | DATE | APPROVED |
|-----|--------|--------------|------------|----------|
| A | - | NEW RELEASED | 2022.05.20 | CLARA |

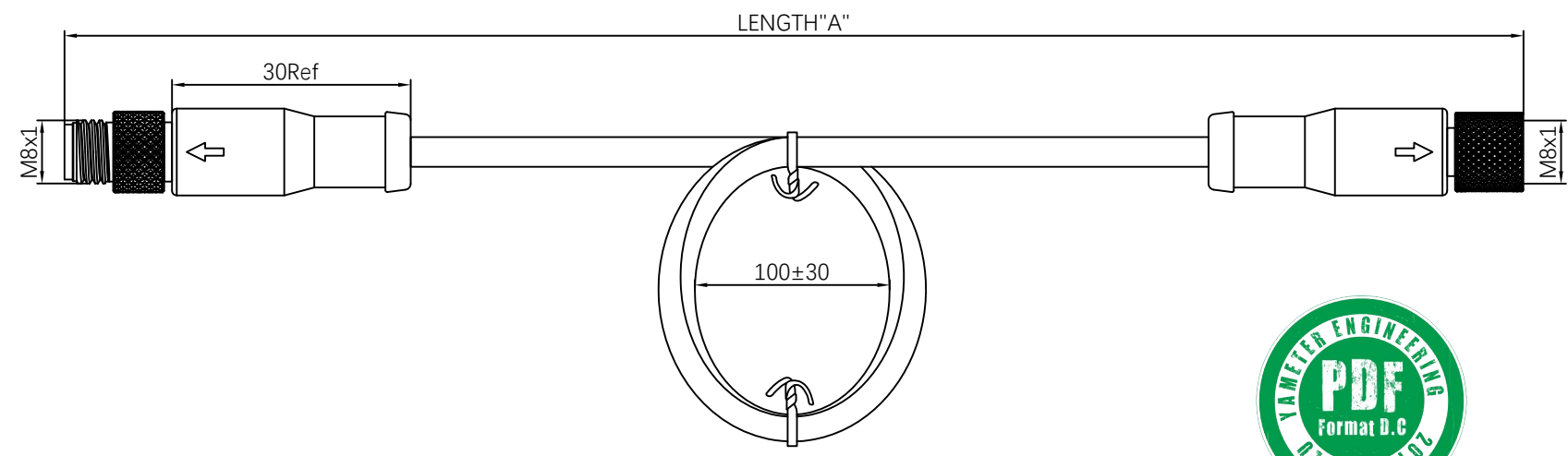


Table 1

| Yameter Part No. | Coding & Pins | Plug Pin out | Socket Pin out | Contact Size(mm) | Rated Current | Rated Voltage |
|------------------|-----------------|--------------|----------------|------------------|---------------|---------------|
| - | A Code 3 Pin | | | 1.0 | 4A | 60V/DC |
| - | A Code 4 Pin | | | 1.0 | 4A | 60V/DC |
| - | D Code 4 Pin | | | 1.0 | 4A | 60V/DC |
| - | B Code 5 Pin | | | 1.0 | 3A | 30V/DC |
| - | A Code 6 Pin | | | 0.7 | 1.5A | 30V/DC |
| - | A Code 8 Pin | | | 0.6 | 1.5A | 30V/DC |

Electrical specifications:
 Use of voltage range: See Table 1
 Current range: See Table 1
 Temperature range: -40°C~+80°C

Material specifications:
 Cable: UL Style Cable PVC or PU
 Connector: M8 Connectors

Mechanical performance:
 Minimum bending radius:
 Fixed installation: 8x Cable OD
 Flexible installation: 10x Cable OD

Electrical testing of finished cable:
 100% Open / Short / Miswiring testing
 Insulation resistance: DC300V 10MΩ
 Conductor resistance: 5Ω

Manufacturer: Yameter
 Standard: IEC61076-2-104

| Pin Assignments | | | |
|-----------------|-----------|----|-----------|
| 3~6P | 颜色 COLOR | 8P | 颜色 COLOR |
| 1 | 棕 BROWN | 1 | 白 WHITE |
| 2 | 白 WHITE | 2 | 棕 BROWN |
| 3 | 蓝 BLUE | 3 | 绿 GREEN |
| 4 | 黑 BLACK | 4 | 黄 YELLOW |
| 5 | 灰 GRAY | 5 | 灰 GRAY |
| 6 | 粉 PINK | 6 | 粉 PINK |
| - | - | 7 | 蓝 BLUE |
| - | - | 8 | 红 RED |
| S | 屏蔽 SHIELD | S | 屏蔽 SHIELD |

| UNMARKED TOLERANCES | | TITLE | | EDOM ELECTRONICS | | TEL: +86 0755 27801940 | |
|---------------------|------------------|---|--------|----------------------|--------------------------|------------------------|-----|
| DIMENSIONS | TOLERANCE | CIRCULAR STANDARD M8 CONNECTOR PRE-MOLDED SHIELDED CABLE ASSEMBLY | | Mob: +86 15889397634 | | www.techedom.com | |
| x | ±0.5 | CUSTOMER | - | CUSTOMER PART NO. | - | | |
| x.x | ±0.25 | DRAWN BY | CLARA | PART NUMBER | - | SIZE | REV |
| x.xx | ±0.15 | CHECKED BY | BILL | DRAWING NUMBER | m8-cables | A3 | A |
| 0 to 500 | +15 / -0 | APPROVED BY | KIMKEE | SCALE FREE | ALL DIMENSION UNIT IN MM | SHEET 1 OF 1 | |
| > 501 | +3%/-0 of length | | | | | | |
| ANGLES | | | | | | | |
| x° | ±1° | | | | | | |

