

REV	ECN NO	DESCRIPTION	DATE	APPROVED
A	-	NEW RELEASED	2022.05.20	CLARA

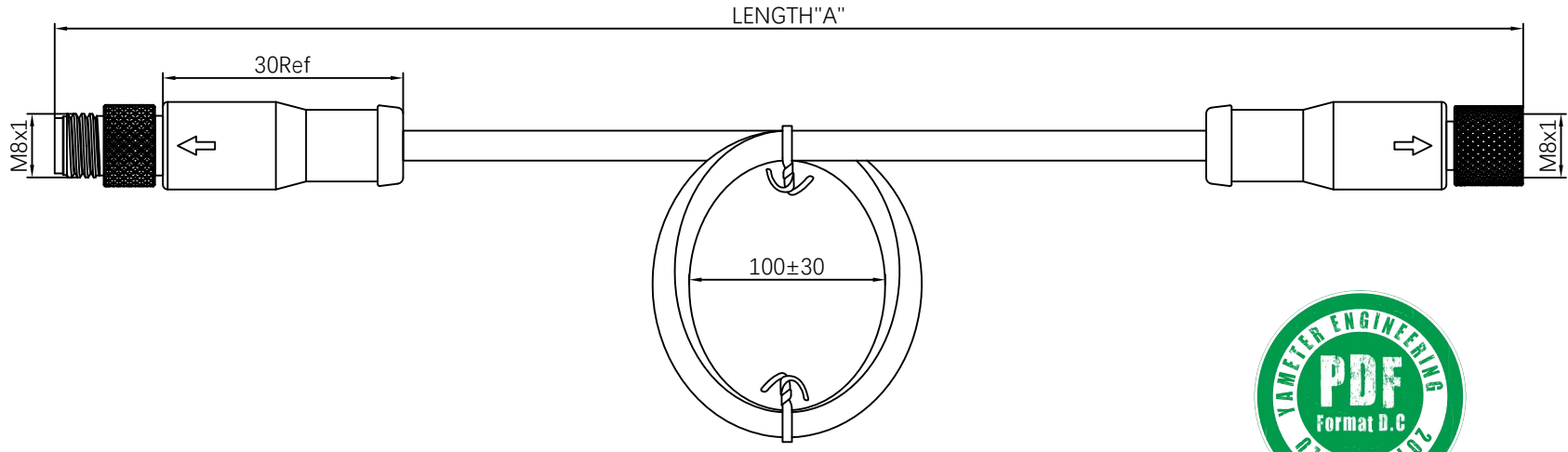


Table 1

Yameter Part No.	Coding & Pins	Plug Pin out	Socket Pin out	Contact Size(mm)	Rated Current	Rated Voltage
-	A Code 3 Pin			1.0	4A	60V/DC
-	A Code 4 Pin			1.0	4A	60V/DC
-	D Code 4 Pin			1.0	4A	60V/DC
-	B Code 5 Pin			1.0	3A	30V/DC
-	A Code 6 Pin			0.7	1.5A	30V/DC
-	A Code 8 Pin			0.6	1.5A	30V/DC

Electrical specifications:
 Use of voltage range: See Table 1
 Current range: See Table 1
 Temperature range: -40°C~+80°C

Material specifications:
 Cable: UL Style Cable PVC or PU
 Connector: M8 Connectors

Mechanical performance:
 Minimum bending radius:
 Fixed installation: 8x Cable OD
 Flexible installation: 10x Cable OD

Electrical testing of finished cable:
 100% Open / Short / Miswiring testing
 Insulation resistance: DC300V 10MΩ
 Conductor resistance: 5Ω

Manufacturer: Yameter
 Standard: IEC61076-2-104

Pin Assignments			
3~6P	颜色 COLOR	8P	颜色 COLOR
1	棕 BROWN	1	白 WHITE
2	白 WHITE	2	棕 BROWN
3	蓝 BLUE	3	绿 GREEN
4	黑 BLACK	4	黄 YELLOW
5	灰 GRAY	5	灰 GRAY
6	粉 PINK	6	粉 PINK
-	-	7	蓝 BLUE
-	-	8	红 RED
S	屏蔽 SHIELD	S	屏蔽 SHIELD

UNMARKED TOLERANCES		TITLE		EDOM ELECTRONICS		TEL: +86 0755 27801940	
DIMENSIONS	TOLERANCE	CIRCULAR STANDARD M8 CONNECTOR PRE-MOLDED SHIELDED CABLE ASSEMBLY		www.techedom.com		Mob: +86 15889397634	
x	±0.5	CUSTOMER	-	CUSTOMER PART NO.	-		
x.x	±0.25	DRAWN BY	CLARA	PART NUMBER	-	A3	REV A
x.xx	±0.15	CHECKED BY	BILL	DRAWING NUMBER	m8-cables		
0 to 500	+15 / -0	APPROVED BY	KIMKEE	SCALE FREE	ALL DIMENSION UNIT IN MM	SHEET 1 OF 1	
> 501	+3%/-0 of length						
ANGLES							
x°	±1°						

