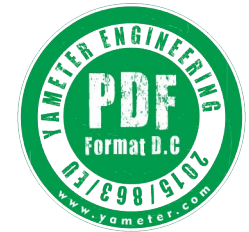
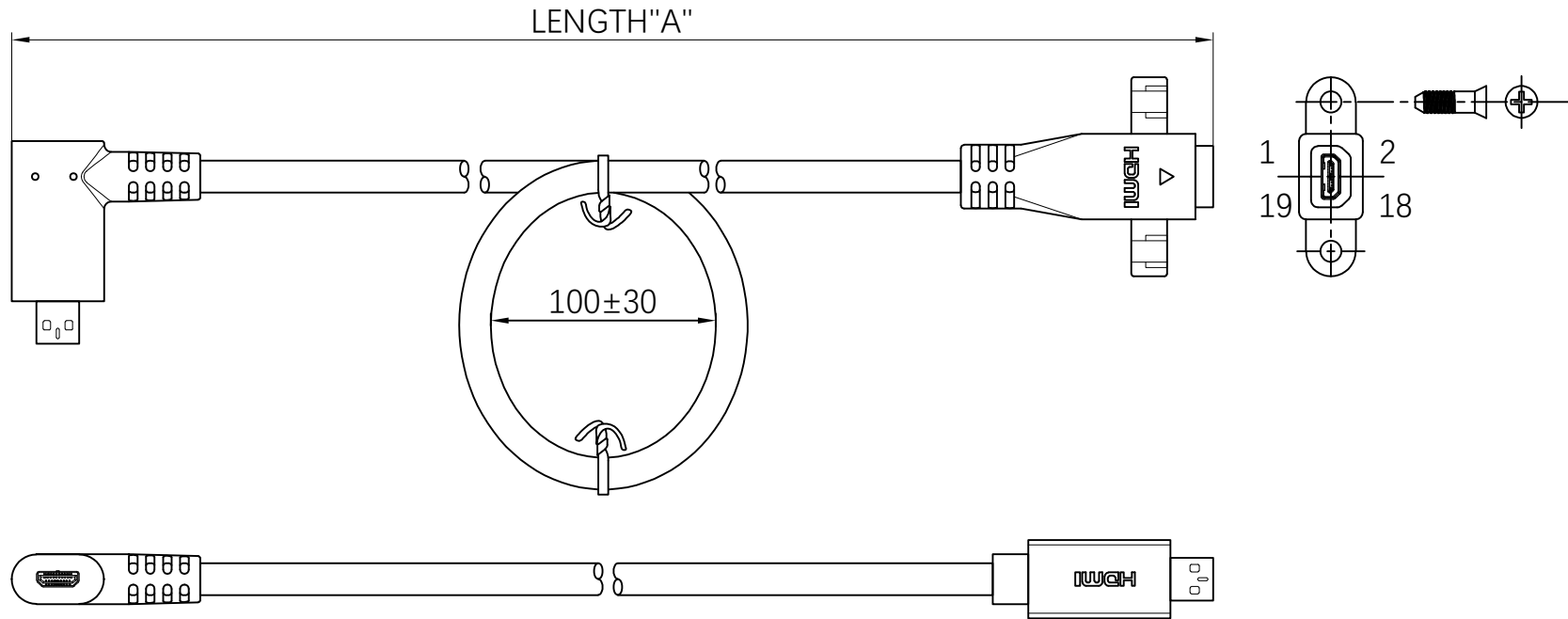



REV	ECN NO	DESCRIPTION	DATE	APPROVED
A	-	NEW RELEASED	2022.01.05	MAY.YU



Material specifications
 Cable: HDMI Cable
 Connector: HDMI TYPE D Plug/Socket Connector
 Overmolding: Black PVC

Electrical testing of finished cable
 100% Open / Short / Miswiring testing
 Insulation resistance: DC300V 10MΩ
 Conductor resistance: 5Ω

UNMARKED TOLERANCES		TITLE STANDARD HDMI TYPE-D SOCKET PANEL MOUNT CABLE ASSEMBLY ANGLE		 TEL: +86 0755 27801940 Mob: +86 15889397634 www.techedom.com	
DIMENSIONS	TOLERANCE				
x.	±0.5	CUSTOMER	-	CUSTOMER PART NO.	-
x.x	±0.25	DRAWN BY	MAY.YU	PART NUMBER	micro-hdmi
x.xx	±0.15	CHECKED BY	BILL.LEE	DRAWING NUMBER	micro-hdmi
0 to 500	+15 / -0	APPROVED BY	TIGER.WANG	SCALE FREE	ALL DIMENSION UNIT IN MM
> 501	+3%/-0 _{of length}			SHEET 1 OF 1	
ANGLES					
x°	±1°				

