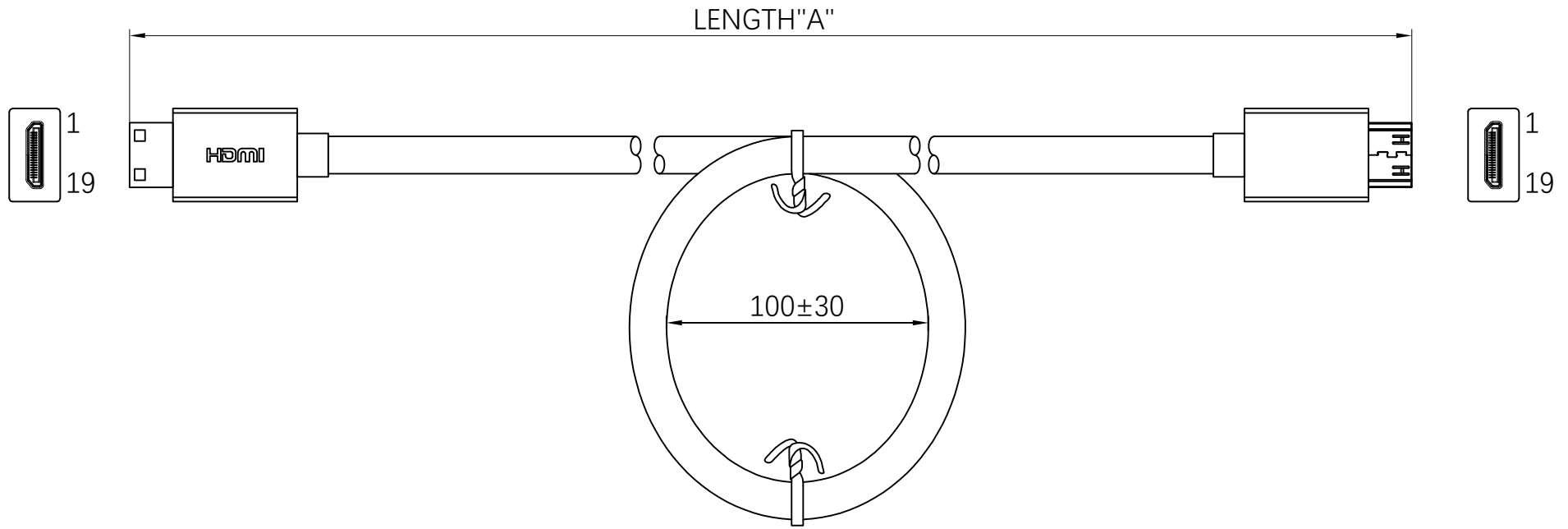


REV	ECN NO	DESCRIPTION	DATE	APPROVED
A	-	NEW RELEASED	2022.01.05	MAY.YU

Customer drawing

RoHS



Material specifications
 Cable: HDMI Cable
 Connector: HDMI TYPE C Plug Connector
 Overmolding: Black PVC

Electrical testing of finished cable
 100% Open / Short / Miswiring testing
 Insulation resistance: DC300V 10MΩ
 Conductor resistance: 5Ω



UNMARKED TOLERANCES		TITLE		EDOM ELECTRONICS			
DIMENSIONS	TOLERANCE	STANDARD HDMI TYPE-C CABLE ASSEMBLY		TEL: +86 0755 27801940		Mob: +86 15889397634	
x.	±0.5	CUSTOMER	-	CUSTOMER PART NO.	-		
x.x	±0.25	DRAWN BY	MAY.YU	PART NUMBER	mini-hdmi		
x.xx	±0.15	CHECKED BY	BILL.LEE	DRAWING NUMBER	mini-hdmi	A4	A
0 to 500	+15 / -0	APPROVED BY	TIGER.WANG	SCALE FREE	ALL DIMENSION UNIT IN MM		SHEET 1 OF 1
> 501	+3%/-0 ^{of length}						
ANGLES							
x°	±1°						

