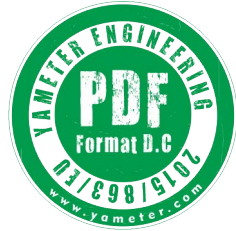
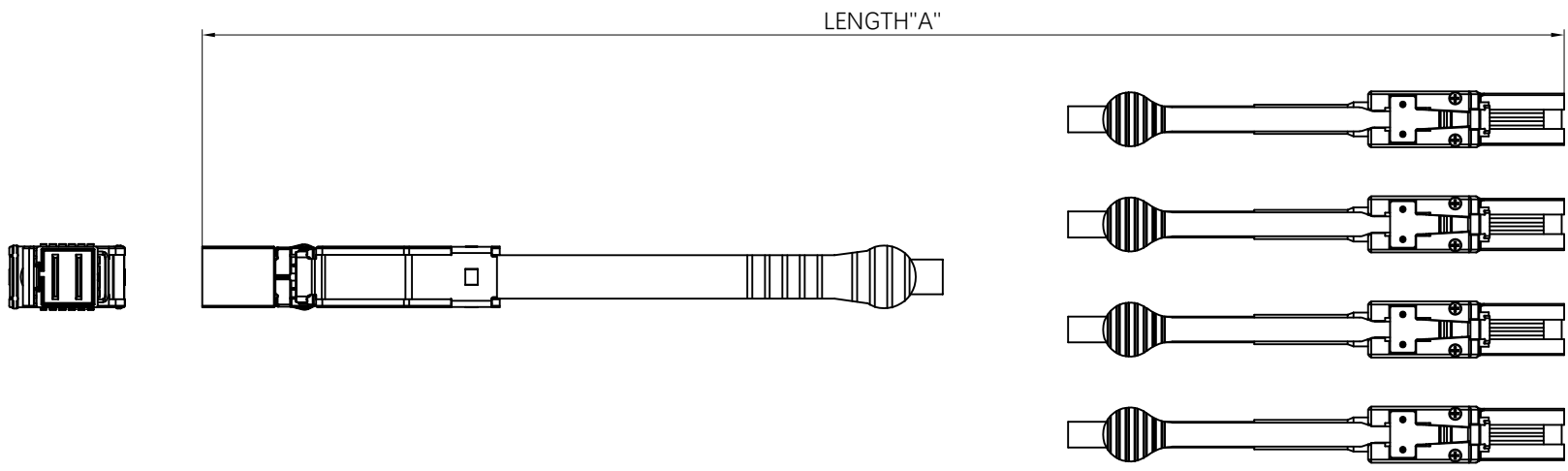



REV	ECN NO	DESCRIPTION	DATE	APPROVED
A	-	NEW RELEASED	2022.01.05	MAY.YU



- Electrical Character:
1. 100% Open / Short / Miswiring testing.
 2. Insulation resistance: DC300V 10MΩ.
 3. Conductor resistance: 5Ω.

UNMARKED TOLERANCES		TITLE QSFP+SFF8644/QSFP+SFF8088 CONNECTOR MINISAS HD TO MINISAS CABLE ASSEMBLY		 TEL: +86 0755 27801940 Mob: +86 15889397634 www.techedom.com	
DIMENSIONS	TOLERANCE	CUSTOMER	-	CUSTOMER PART NO.	-
x	±0.5	DRAWN BY	MAY.YU	PART NUMBER	MINI SAS HD CABLE
x.x	±0.25	CHECKED BY	BILL.LEE	DRAWING NUMBER	mini-sas-hd-mini-sas
x.xx	±0.15	APPROVED BY	TIGER.WANG	SCALE FREE	ALL DIMENSION UNIT IN MM
0 to 500	+15 / -0				SIZE A4
> 501	+3%/ -0 of 100mm				REV A
ANGLES					SHEET 1 OF 1
x°	±1°				

