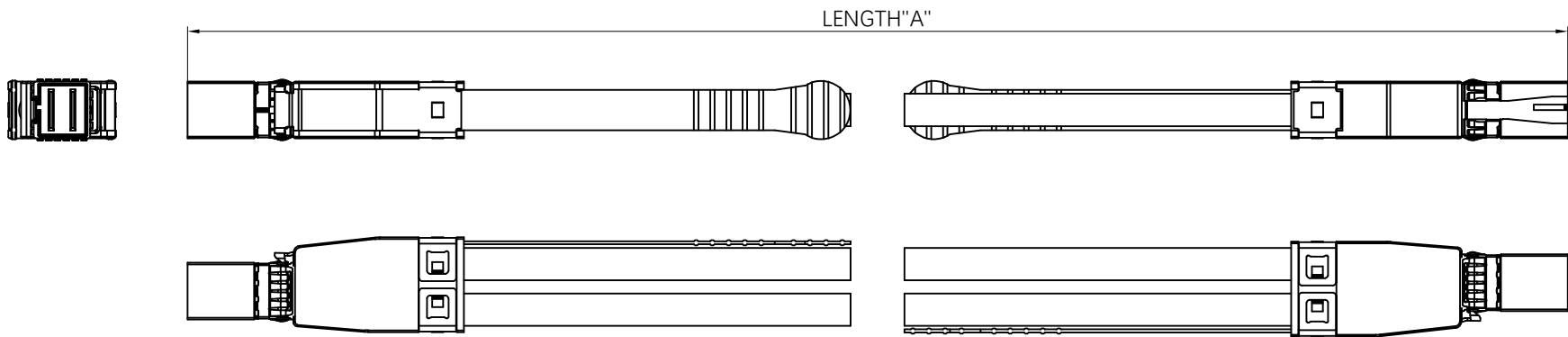



REV	ECN NO	DESCRIPTION	DATE	APPROVED
A	-	NEW RELEASED	2022.01.05	MAY.YU



Electrical Character:
 1. 100% Open / Short / Miswiring testing.
 2. Insulation resistance: DC300V 10MΩ.
 3. Conductor resistance: 5Ω.



UNMARKED TOLERANCES		TITLE QSFP+SFF8644 MINISAS EXTERNAL CABLE ASSEMBLY 12Gbps		 TEL: +86 0755 27801940 Mob: +86 15889397634 www.techedom.com	
DIMENSIONS	TOLERANCE	CUSTOMER	-		
x	±0.5	DRAWN BY	MAY.YU	PART NUMBER	mini-sas-hd
x.x	±0.25	CHECKED BY	BILL.LEE	DRAWING NUMBER	mini-sas-hd
x.xx	±0.15	APPROVED BY	TIGER.WANG	SCALE FREE	ALL DIMENSION UNIT IN MM
0 to 500	+15 / -0			SHEET 1 OF 1	
> 501	+3%/ -0 of 100µm			SIZE	A4
ANGLES				REV	A
x°	±1°				

