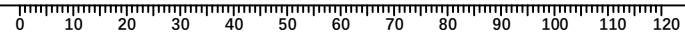
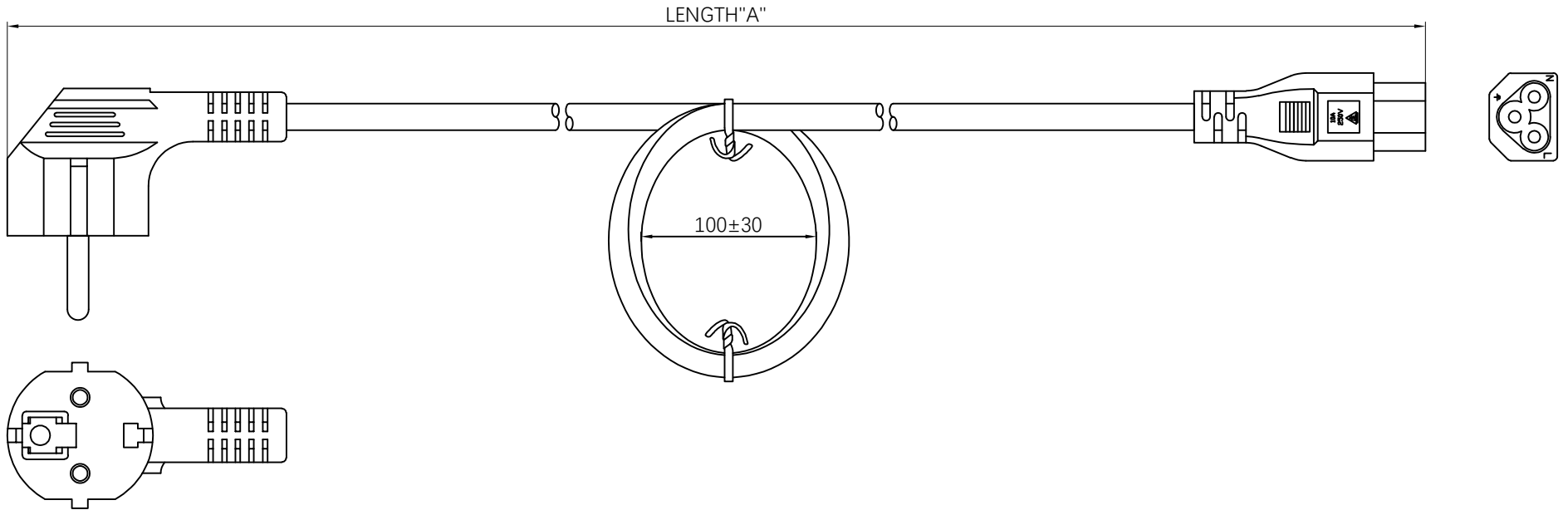


REV	ECN NO	DESCRIPTION	DATE	APPROVED
A	-	NEW RELEASED	2022.01.05	MAY.YU

Customer drawing

**RoHS**



UNMARKED TOLERANCES		TITLE		EDOM ELECTRONICS		TEL: +86 0755 27801940	
DIMENSIONS	TOLERANCE	CEE7 EURO IEC C13 PLUG POWER CORD VDE CONNECTOR CABLE ASSEMBLY		Mob: +86 15889397634		www.techedom.com	
x	±0.5	CUSTOMER	-	CUSTOMER PART NO.	-		
x.x	±0.25	DRAWN BY	MAY.YU	PART NUMBER	powercable-cee7-c13		
x.xx	±0.15	CHECKED BY	BILL.LEE	DRAWING NUMBER	powercable-cee7-c13	A4	A
0 to 500	+15 / -0	APPROVED BY	TIGER.WANG	SCALE FREE	ALL DIMENSION UNIT IN MM	SHEET 1 OF 1	
> 501	+3%/-0 of length						
ANGLES							
x°	±1°						