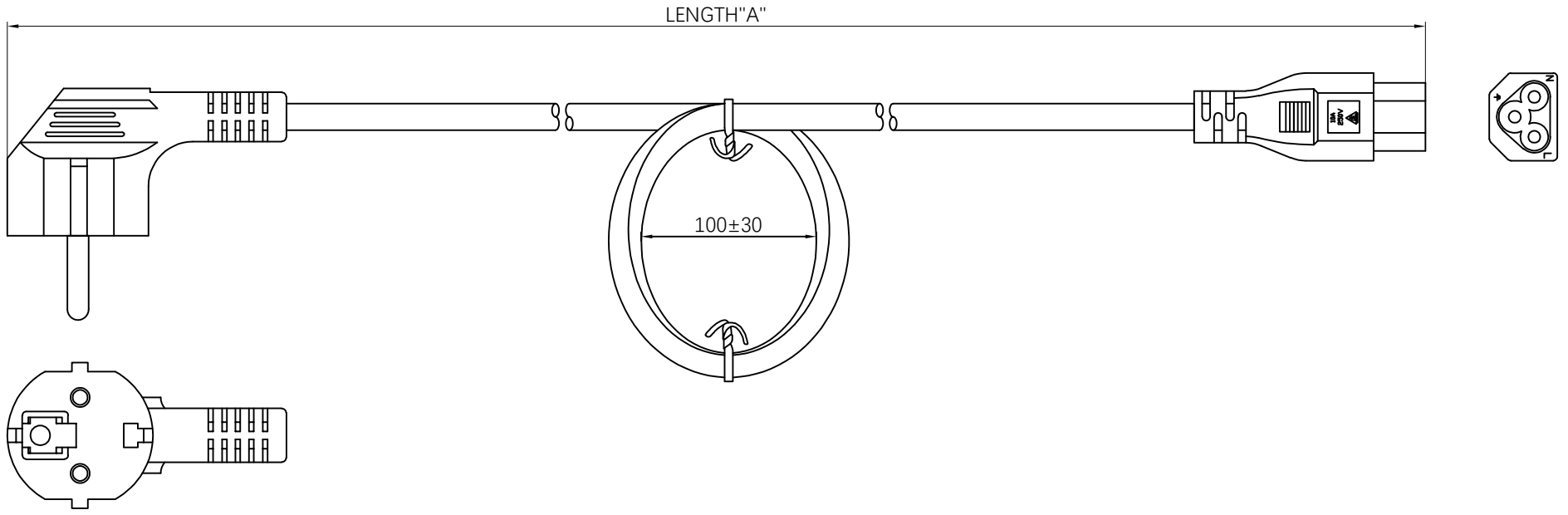



REV	ECN NO	DESCRIPTION	DATE	APPROVED
A	-	NEW RELEASED	2022.01.05	MAY.YU



UNMARKED TOLERANCES		TITLE CEE7 EURO IEC C13 PLUG POWER CORD VDE CONNECTOR CABLE ASSEMBLY		 TEL: +86 0755 27801940 Mob: +86 15889397634 www.techedom.com	
DIMENSIONS	TOLERANCE				
x	±0.5	CUSTOMER	-	CUSTOMER PART NO.	-
x.x	±0.25	DRAWN BY	MAY.YU	PART NUMBER	powercable-cee7-c13
x.xx	±0.15	CHECKED BY	BILL.LEE	DRAWING NUMBER	powercable-cee7-c13
0 to 500	+15 / -0	APPROVED BY	TIGER.WANG	SCALE FREE	ALL DIMENSION UNIT IN MM
> 501	+3%/ -0 of 100mm				SHEET 1 OF 1
ANGLES					
x°	±1°				

