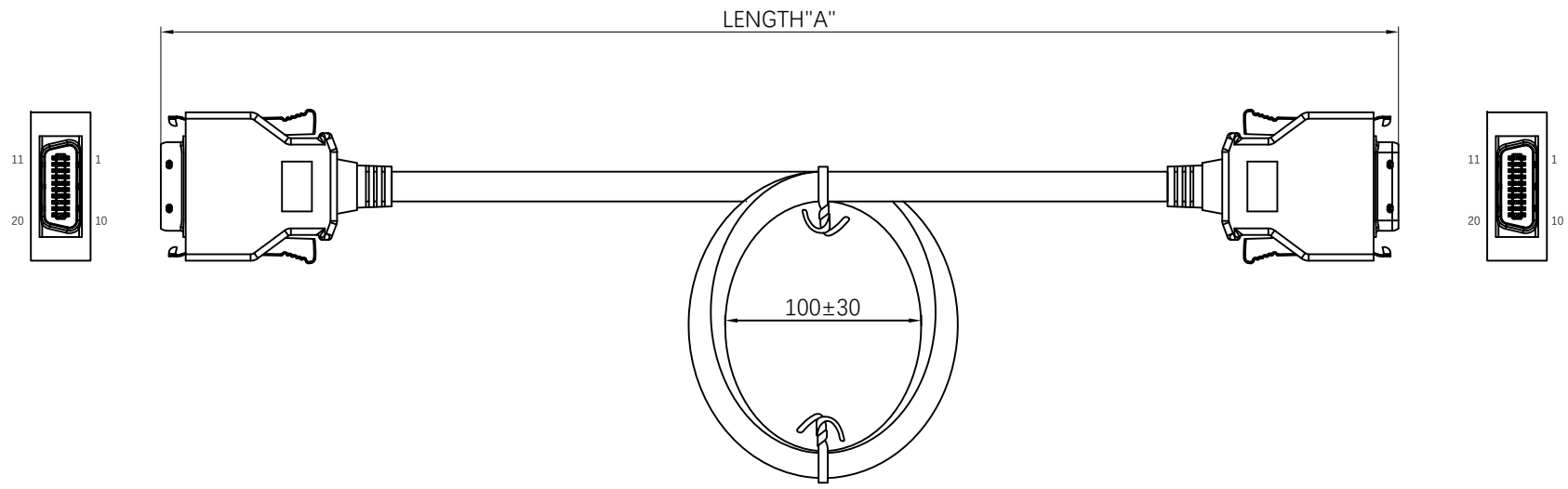


REV	ECN NO	DESCRIPTION	DATE	APPROVED
A	-	NEW RELEASED	2022.01.05	MAY.YU




Material specifications
 Contact: Brass with gold plated
 Insulation: PBT, Black, UL94V-0
 Connector Shell: SPCC with nickel plated
 Backshell: ABS, Black, UL94V-0

Mechanical properties
 Minimum bending radius: Fixed installation: 8x Cable OD
 Flexible installation: 10x Cable OD

Electrical testing of finished cable
 100% Open / Short / Miswiring testing
 Insulation resistance: DC300V 10MΩ
 Conductor resistance: 5Ω



UNMARKED TOLERANCES		TITLE		 TEL: +86 0755 27801940 Mob: +86 15889397634 www.techedom.com	
DIMENSIONS	TOLERANCE	HPCN 20PIN SCSI CONNECTOR CABLE ASSEMBLY			
x	±0.5	CUSTOMER	-	CUSTOMER PART NO.	-
x.x	±0.25	DRAWN BY	MAY.YU	PART NUMBER	scsi20pin-cable
x.xx	±0.15	CHECKED BY	BILL	DRAWING NUMBER	scsi20pin-cable
0 to 500	+15 / -0	APPROVED BY	KIMKEE	SCALE FREE	ALL DIMENSION UNIT IN MM
> 501	+3W/-0 of length				SHEET 1 OF 1
ANGLES					
x°	±1°				

