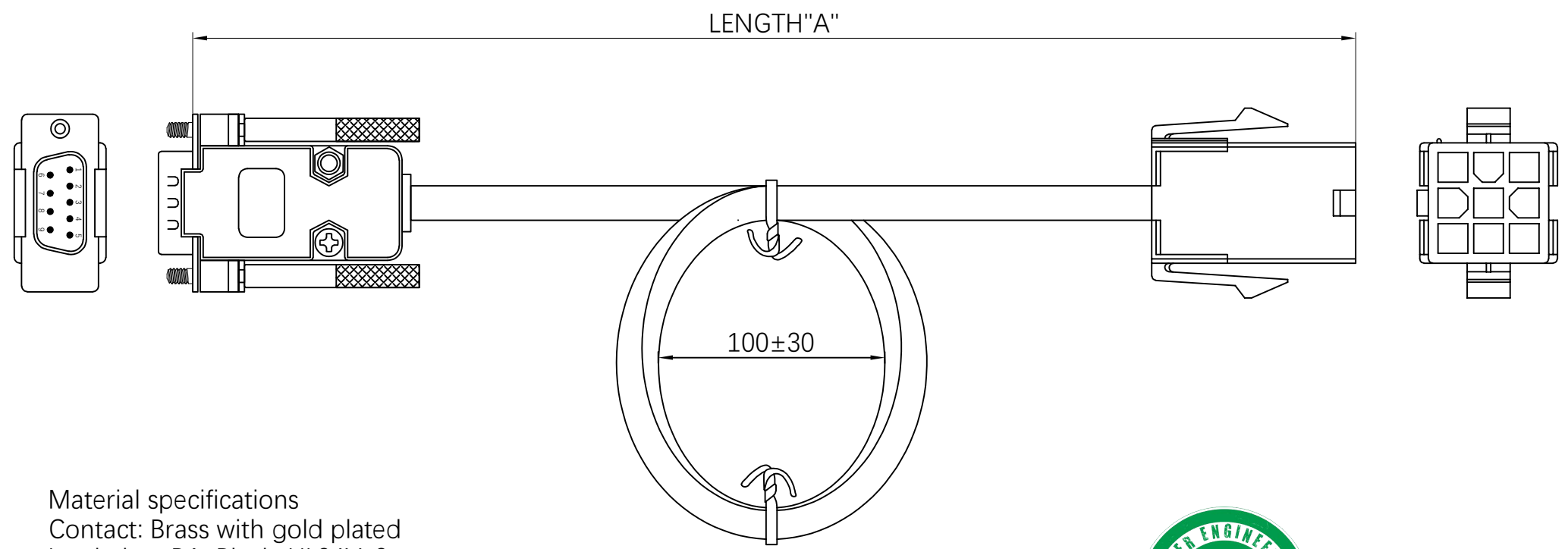


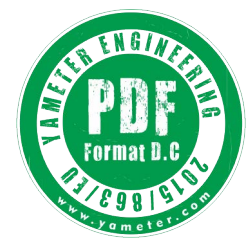
REV	ECN NO	DESCRIPTION	DATE	APPROVED
A	-	NEW RELEASED	2020.07.28	MAY.YU




Material specifications  
 Contact: Brass with gold plated  
 Insulation: PA, Black, UL94V-0  
 Housing: Brass with nickel plated

Mechanical properties  
 Minimum bending radius: Fixed installation: 8x Cable OD  
 Flexible installation: 10x Cable OD

Electrical testing of finished cable  
 100% Open / Short / Miswiring testing  
 Insulation resistance: DC300V 10MΩ  
 Conductor resistance: 5Ω



UNMARKED TOLERANCES		<b>TITLE</b>		 TEL: +86 0755 27801940 Mob: +86 15889397634 www.techedom.com			
DIMENSIONS	TOLERANCE	<b>DELTA SERVO ENCODED CABLE</b>		CUSTOMER PART NO.		-	
x.	±0.5	<b>SERVO MOTOR POWER CABLE</b>		PART NUMBER		servo-delta-cable	
x.x	±0.25	CUSTOMER	-	DRAWING NUMBER		servo-delta-cable	
x.xx	±0.15	DRAWN BY	MAY.YU	SCALE FREE		ALL DIMENSION UNIT IN MM	
0 to 500	+15 / -0	CHECKED BY	BILL.LEE	SHEET 1 OF 1		SIZE	REV
> 501	+3%/-0 <sup>of length</sup>	APPROVED BY	TIGER.WANG			A4	A
ANGLES							
x°	±1°						

