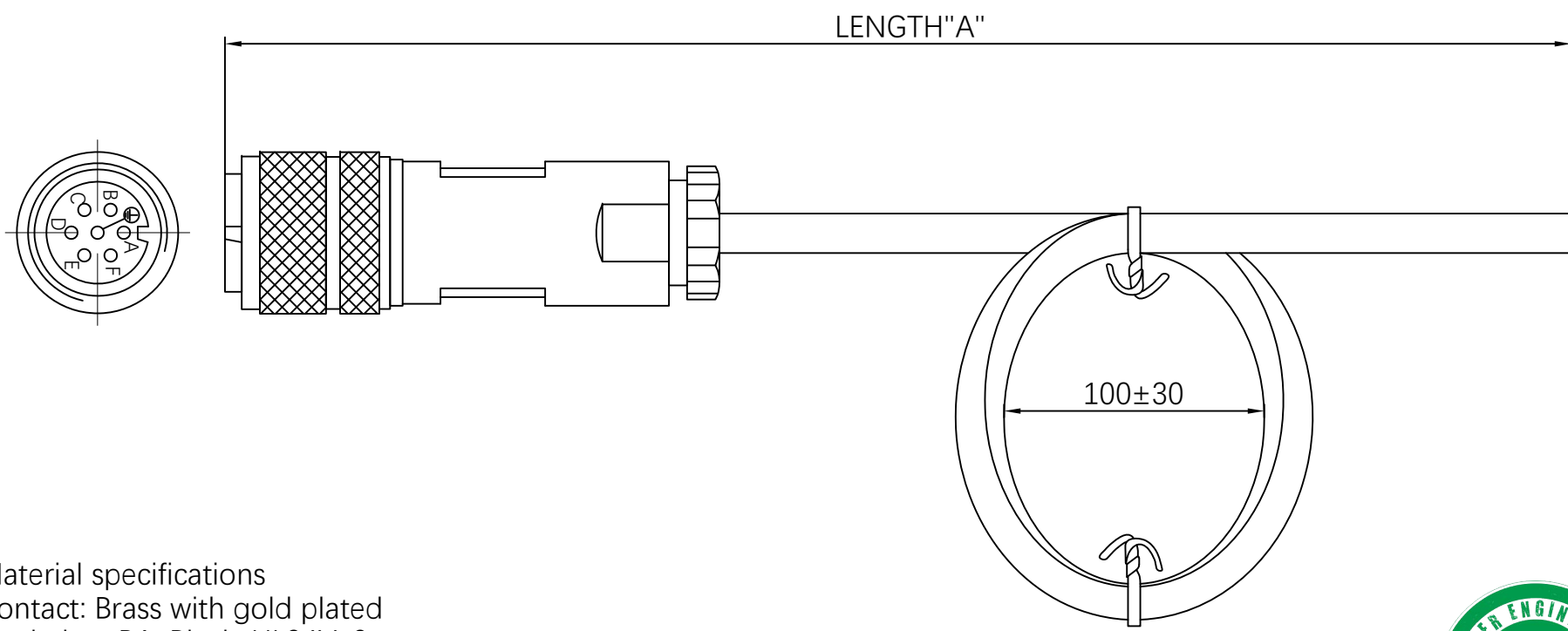


REV	ECN NO	DESCRIPTION	DATE	APPROVED
A	-	NEW RELEASED	2020.07.28	CLARA


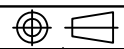


Material specifications
 Contact: Brass with gold plated
 Insulation: PA, Black, UL94V-0
 Housing: PA, Black, UL94V-0

Mechanical properties
 Minimum bending radius: Fixed installation: 8x Cable OD
 Flexible installation: 10x Cable OD

Electrical testing of finished cable
 100% Open / Short / Miswiring testing
 Insulation resistance: DC300V 10MΩ
 Conductor resistance: 5Ω



UNMARKED TOLERANCES		TITLE		 TEL: +86 0755 27801940 Mob: +86 15889397634 www.techedom.com			
DIMENSIONS	TOLERANCE	VALVE SERVO ENCODED CABLE					
x.	±0.5	CUSTOMER	-	CUSTOMER PART NO.	-		
x.x	±0.25	DRAWN BY	CLARA	PART NUMBER	servo-valve-cable		
x.xx	±0.15	CHECKED BY	BILL	DRAWING NUMBER	servo-valve-cable	SIZE	REV
0 to 500	+15 / -0	APPROVED BY	KIMKEE	SCALE FREE	ALL DIMENSION UNIT IN MM	A4	A
> 501	+3%/-0 ^{of length}					SHEET 1 OF 1	
ANGLES							
x°	±1°						

