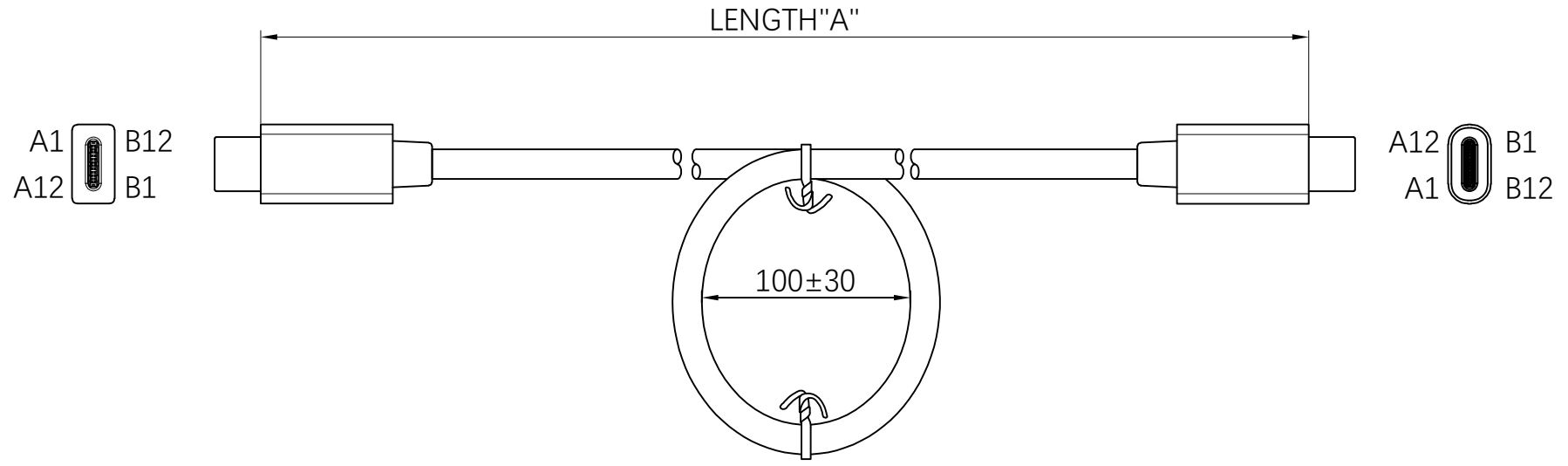


REV	ECN NO	DESCRIPTION	DATE	APPROVED
A	-	NEW RELEASED	2020.07.28	MAY.YU

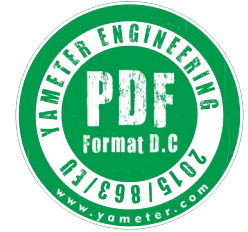


Electrical specifications:
 Use of voltage range: 5V
 Current range: 2A
 Temperature range: -20°C~+80°C

Material specifications
 Cable: Type-C Cable
 Connector: Type-C Connector
 Shell Boot: Aluminum alloy

Mechanical properties
 Minimum bending radius: Fixed installation: 8x Cable OD
 Flexible installation: 10x Cable OD

Electrical testing of finished cable
 100% Open / Short / Miswiring testing
 Insulation resistance: DC300V 10MΩ
 Conductor resistance: 5Ω



UNMARKED TOLERANCES		TITLE		EDOM ELECTRONICS			
DIMENSIONS	TOLERANCE	STANDARD USB TYPE-C CABLE ASSEMBLY		TEL: +86 0755 27801940		Mob: +86 15889397634	
x.	±0.5	CUSTOMER	-	CUSTOMER PART NO.	-		
x.xx	±0.25	DRAWN BY	MAY.YU	PART NUMBER	usb4-cable		
x.xxx	±0.15	CHECKED BY	BILL.LEE	DRAWING NUMBER	usb4-cable	A4	A
0 to 500	+15 / -0	APPROVED BY	TIGER.WANG	SCALE FREE	ALL DIMENSION UNIT IN MM		SHEET 1 OF 1
> 501	+3%/-0 of length						
ANGLES							
x°	±1°						

